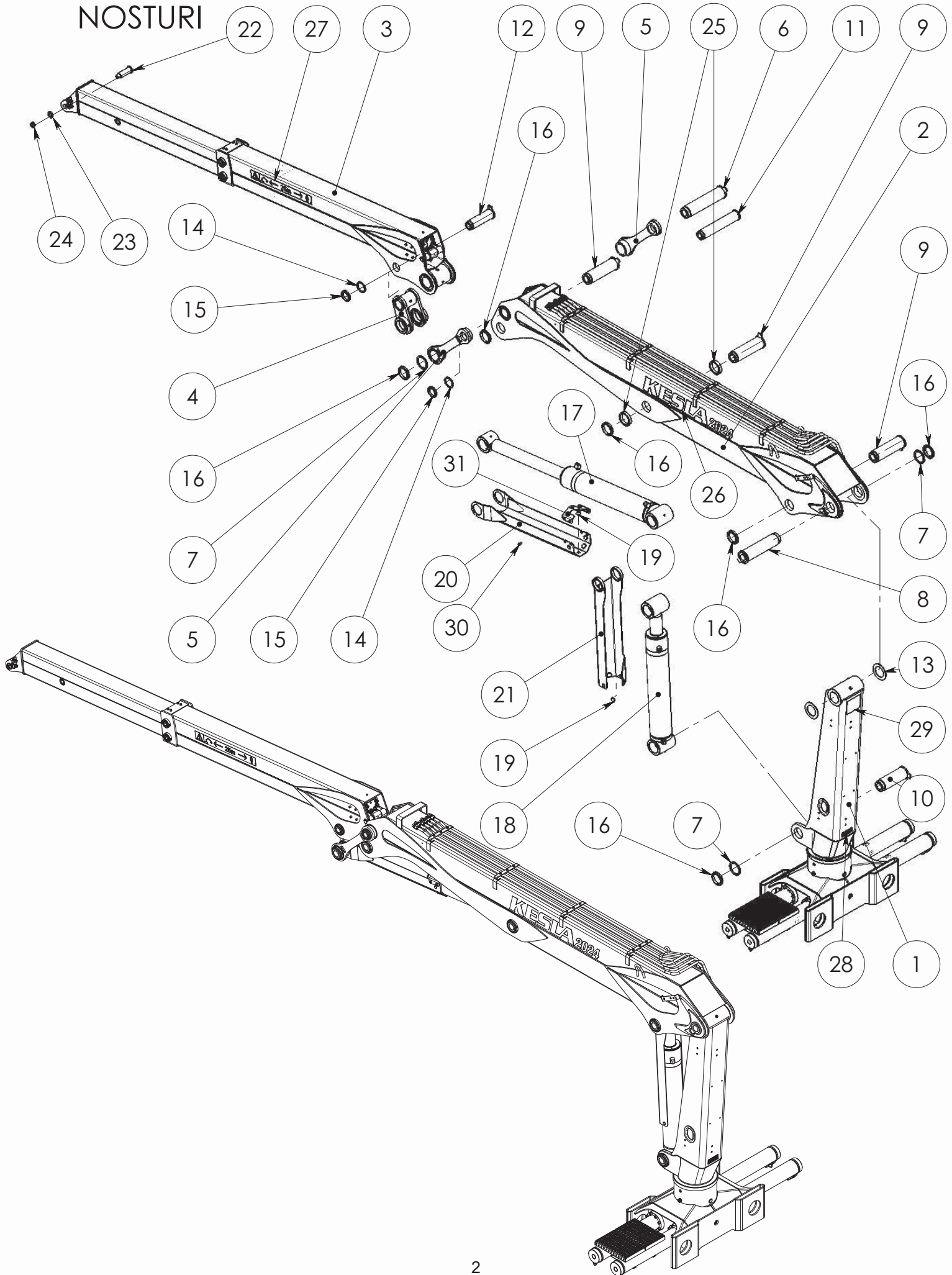


**Sisällysluettelo \ Innehållsförteckning \ Contents \ Inhaltsverzeichnis**

<i>Pääkokoonpano \ Sammansättning \ Final assembly \ Zusammensetzung .....</i>	<i>2</i>
<i>Kääntölaite \ Vridanordning \ Slew mechanism \ Schwenkwerk.....</i>	<i>22</i>
<i>Tukijalkavarustus \ Stödbensutrustning \ Stabilizers \ Stützfußausrüstung.....</i>	<i>25</i>
<i>Nostopuomi \ Lyftbom \ Main lifting boom \ Hubarm .....</i>	<i>27</i>
<i>Siirtopuomisto \ Vipparm \ Outer boom \ Knickarm .....</i>	<i>37</i>
<i>Vetotangon varustelu \ Dragstång \ Inner link assy \ Mittleres Gelenk.....</i>	<i>23</i>
<i>Nostosylinteri \ Lyftcylinder \ Main lifting cylinder \ Hubzylinder .....</i>	<i>45</i>
<i>Siirtosylinteri \ Vippcylinder \ Outer boom cylinder \ Knickarmzylinder.....</i>	<i>47</i>
<i>Jatkeen sylinteri \ Utskjutscylinder \ Extension cylinder \ Ausschubzylinder \ .....</i>	<i>49</i>
<i>Tukijalkojen levityssylinteri \ Spridningscylinder \ Spreading cylinder \ Ausshubzylinder für Stützfüsse .....</i>	<i>51</i>
<i>Tukijalan sylinteri \ Stödbenscylinder \ Stabilizer cylinder \ Stützfußcylinder .....</i>	<i>53</i>
<i>Painesuodatin \ Tryckfilter \ Pressure filter \ Druckfilter .....</i>	<i>55</i>
<i>Nosturin asennus \ montering \ mounting \ Aufstellung.....</i>	<i>57</i>
<i>Painesuodatin asennusteline \ Tryckfilter montering \ Pressure filter mounting \ Druckfilter Aufstellung .....</i>	<i>59</i>
<i>Hallintalaitteet \ Styrningsanordning \ Control unit \ Bedienungsanordnung \</i>	

90000327

NOSTURI

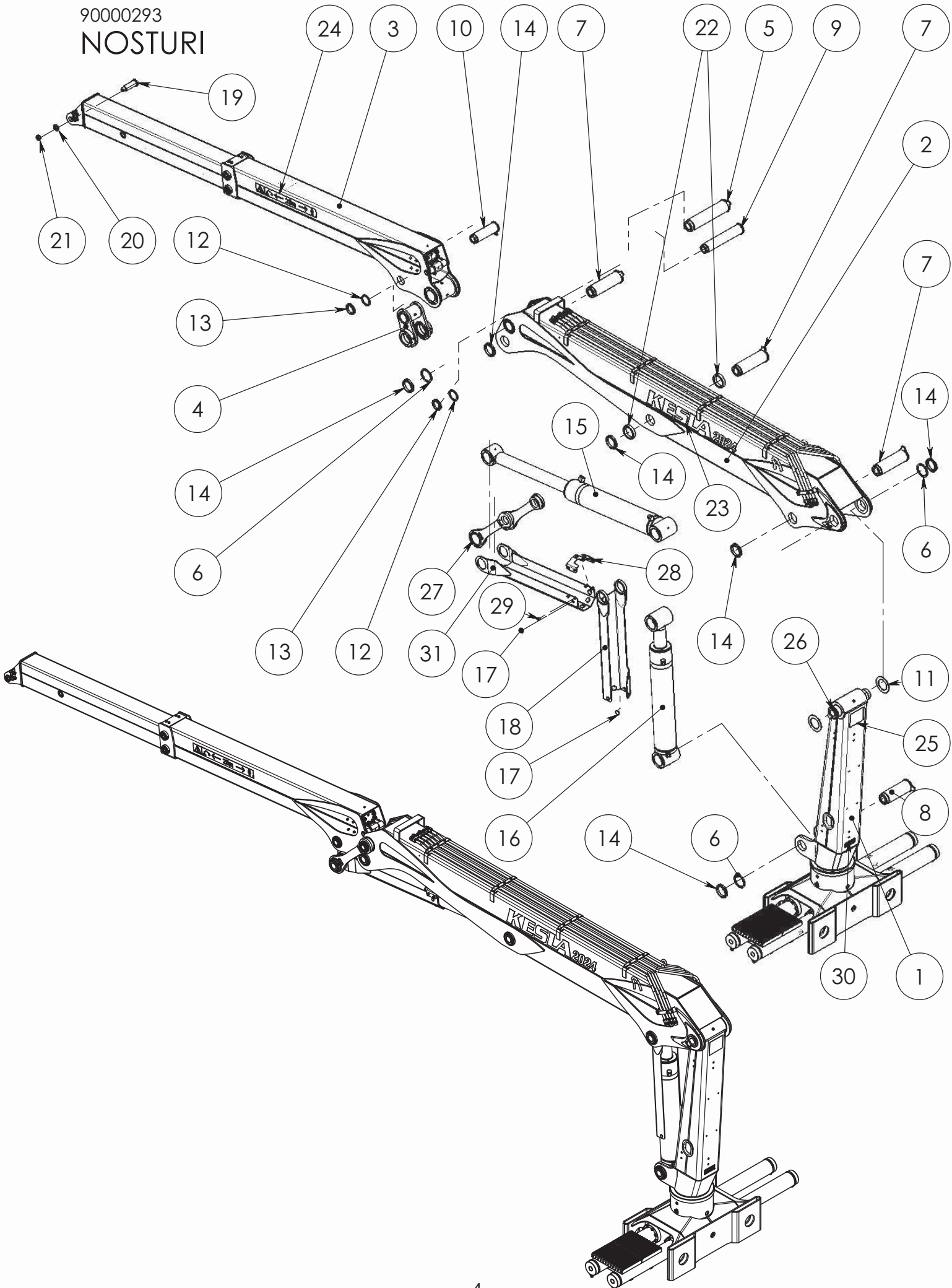


Item code	90000327	Revision	-
Title	CRANE	Date	05.12.2008
Specification	L=8200 CAB		

Pos	Item code	Title	Specification	Pc	Nto Weight
1	90023610	SLEW MECHANNISM	42 KNM VAR	1	992.68
2	90022862	LIFT BOOM	L=4000 CAB	1	578.9
3	90020589	OUTER BOOM	L=4400	1	432.14
4	90020495	DRAW BAR	VAR	1	21.35
5	90024113	LINK	SIVUTANKO	2	11.14
6	90020454	AXLE	100/M95X2-457 HITS	1	19.33
7	90015230	WASHER	125/101-6	3	0.2
8	90024098	AXLE	100/M95X2-417 HITS	1	17.64
9	90020452	AXLE	100/M95X2-348 HITS	3	14.75
10	90020451	AXLE	100/M95X2-307 HITS	1	12.98
11	90020470	AXLE	80-450 HITS	1	12.12
12	90020469	AXLE	80-280 HITS	1	7.53
13	90010010	BEARING	152/100,5 - 5	2	0.06
14	90013697	WASHER	100/81-6	2	0.13
15	3020158	NUT	KM15 NYLOC M75X2	2	0.35
16	3020166	NUT	KM19 NYLOC M95X2	6	0.54
17	28763001	CYLINDER	160/100X855	1	164.79
18	28762001	CYLINDER	160/100X855	1	169.55
19	90013832	GLIDE PAD	40-14	10	0.01
20	90024110	COVER	SIIRTOSYL. SUOJA HITS	1	18.65
21	90020586	COVER	NOSTOSYL	1	19.17
22	90013105	AXLE	45-164	1	1.94
23	90013106	WASHER	56/31-8	1	0.08
24	3020144	NUT	M30X1.5 ZN NYLOC	1	0.1
25	90020582	SLEEVE	125/100-25	2	0.86
26	3281270	DECAL	KESLA 2024T	2	0.14
27	3281135	DECAL	VAARA-ALUE 25 M, 730X80	2	0.1
28	3280507	PLATE	MALLI CE (120X45) LIIMATTAVA TUOTEKILPI	1	0.03
29	3280264	DECAL	VARO JÄNNITTEISTÄ. (130X160) FI,SV	1	0.02
30	3010604	ALLEN SCREW	M12X20 8.8 DIN 912	4	0
31	90024111	FASTENER	SIIRTOSYL. SUOJAAN	1	1.05

90000293

NOSTURI

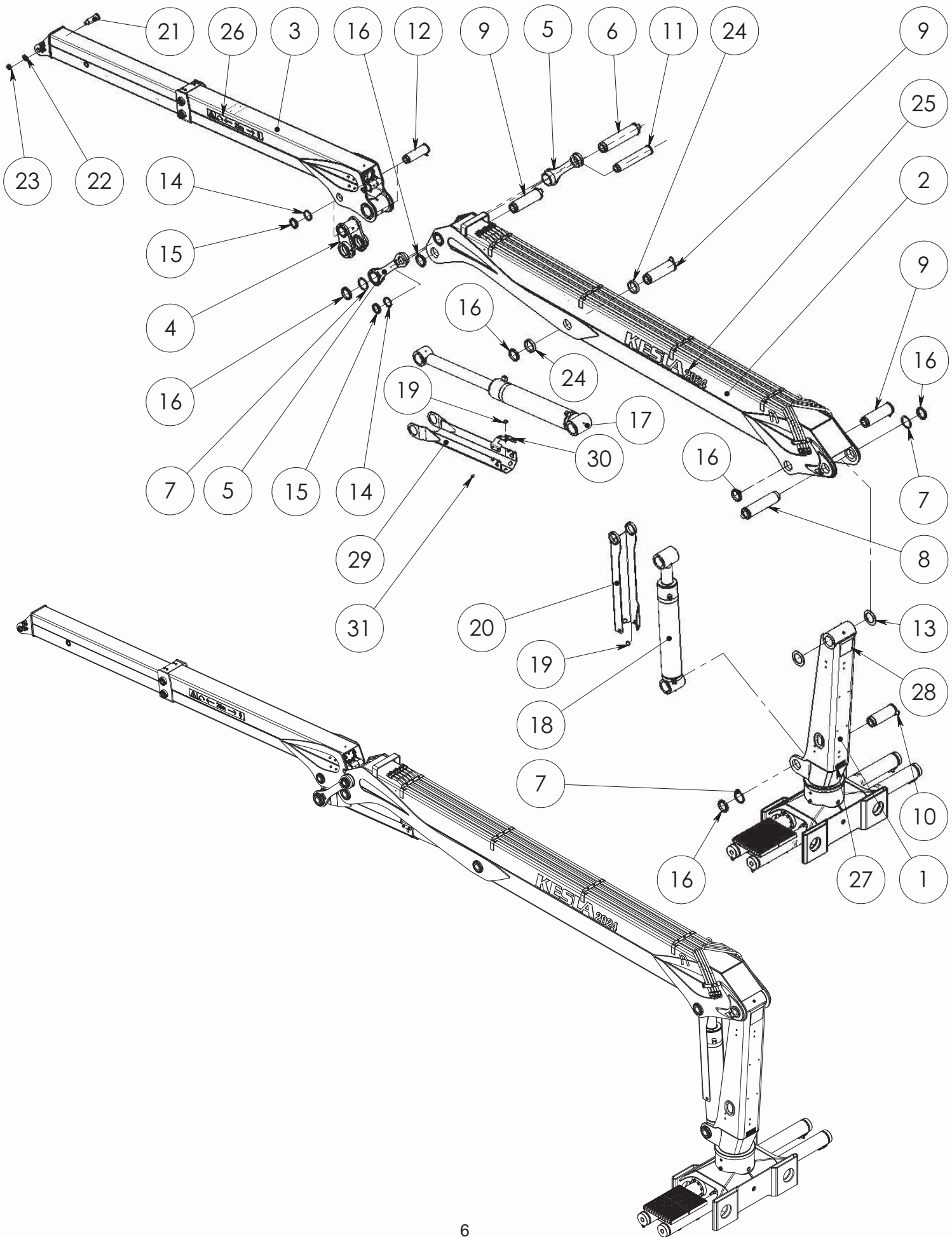


Item code	9000293	Revision	-
Title	CRANE	Date	16.01.2006
Specification	L=8200 OPEN TYPE		

Pos	Item code	Title	Specification	Pc	Nto Weight
1	90020496	SLEW MECHANNISM	42 KNM	1	1034.68
2	90020597	LIFT BOOM	L=4000 OPEN TYPE	1	577.97
3	90020589	OUTER BOOM	L=4400	1	432.14
4	90020495	DRAW BAR	VAR	1	21.35
5	90020454	AXLE	100/M95X2-457 HITS	1	19.33
6	90015230	WASHER	125/101-6	3	0.2
7	90020452	AXLE	100/M95X2-348 HITS	3	14.75
8	90020451	AXLE	100/M95X2-307 HITS	1	12.98
9	90020470	AXLE	80-450 HITS	1	12.12
10	90020469	AXLE	80-280 HITS	1	7.53
11	90010010	BEARING	152/100,5 - 5	2	0.06
12	90013697	WASHER	100/81-6	2	0.13
13	3020158	NUT	KM15 NYLOC M75X2	2	0.35
14	3020166	NUT	KM19 NYLOC M95X2	6	0.54
15	28763001	CYLINDER	160/100X855	1	164.79
16	28762001	CYLINDER	160/100X855	1	169.55
17	90013832	GLIDE PAD	40-14	10	0.01
18	90020586	COVER	NOSTOSYL	1	20.16
19	90013105	AXLE	45-164	1	1.94
20	90013106	WASHER	56/31-8	1	0.08
21	3020144	NUT	M30X1.5 ZN NYLOC	1	0.1
22	90020582	SLEEVE	125/100-25	2	0.86
23	3281270	DECAL	KESLA 2024T	2	0.14
24	3281135	DECAL	VAARA-ALUE 25 M, 730X80	2	0.1
25	3280264	DECAL	VARO JÄNNITTEISTÄ. (130X160) FI,SV	1	0.02
26	90024098	AXLE	100/M95X2-417 HITS	1	17.64
27	90024113	LINK	SIVUTANKO	2	11.14
28	90024111	FASTENER	SIIRTOSYL. SUOJAAN	1	1.05
29	3010604	ALLEN SCREW	M12X20 8.8 DIN 912	4	0
30	3280507	PLATE	MALLI CE (120X45) LIIMATTAVA TUOTEKILPI	1	0.03
31	90024110	COVER	SIIRTOSYL. SUOJA HITS	1	18.65

90000306

NOSTURI

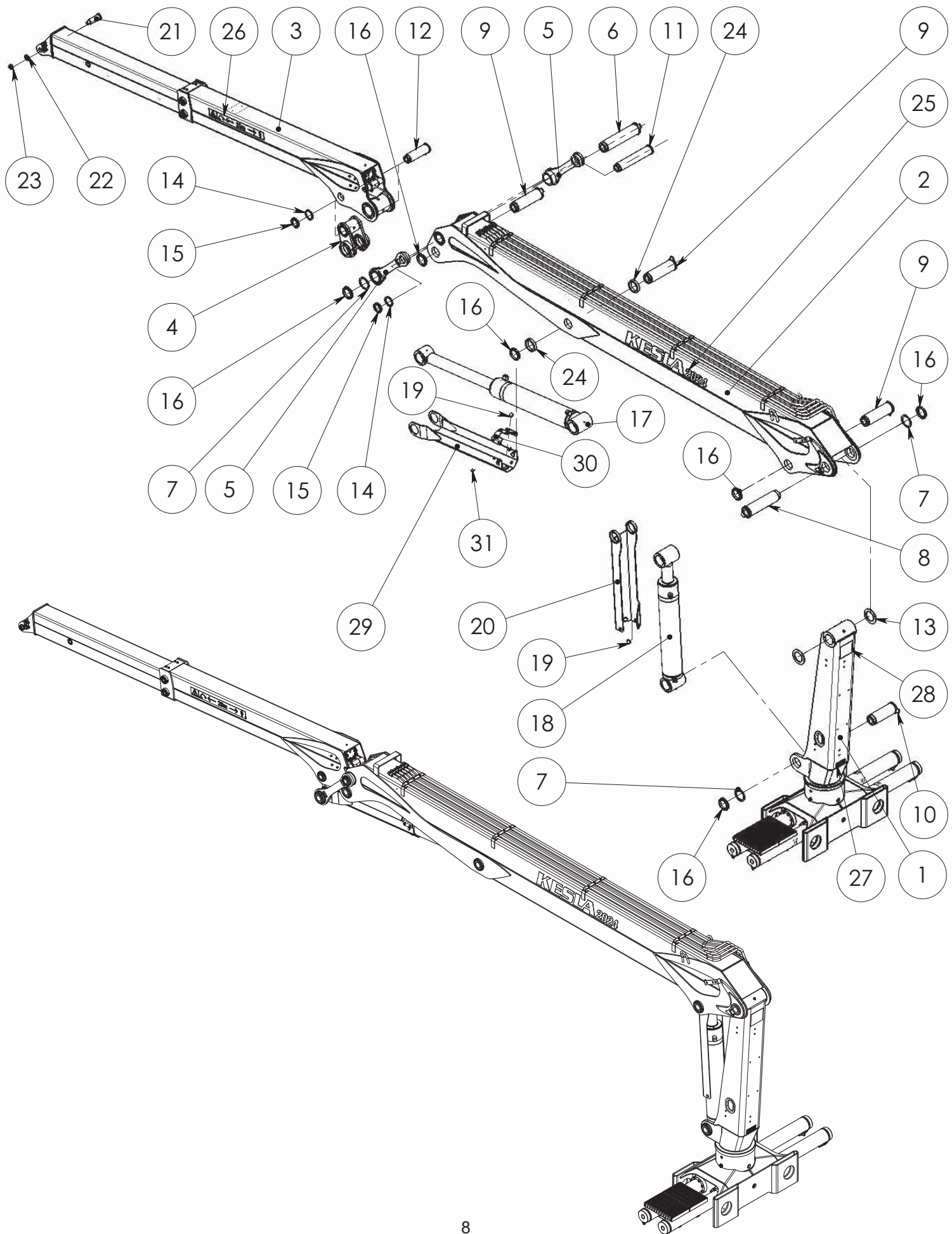


Item code	90000306	Revision	-
Title	CRANE	Date	15.11.2006
Specification	L=9400 OPEN TYPE		

Pos	Item code	Title	Specification	Pc	Nto Weight
1	90023610	SLEW MECHANNISM	42 KNM VAR	1	992.68
2	90020854	LIFT BOOM	L=5200 OPEN TYPE	1	698.01
3	90020589	OUTER BOOM	L=4400	1	432.14
4	90020495	DRAW BAR	VAR	1	21.35
5	90024113	LINK	SIVUTANKO	2	11.14
6	90020454	AXLE	100/M95X2-457 HITS	1	19.33
7	90015230	WASHER	125/101-6	3	0.2
8	90024098	AXLE	100/M95X2-417 HITS	1	17.64
9	90020452	AXLE	100/M95X2-348 HITS	3	14.75
10	90020451	AXLE	100/M95X2-307 HITS	1	12.98
11	90020470	AXLE	80-450 HITS	1	12.12
12	90020469	AXLE	80-280 HITS	1	7.53
13	90010010	BEARING	152/100,5 - 5	2	0.06
14	90013697	WASHER	100/81-6	2	0.13
15	3020158	NUT	KM15 NYLOC M75X2	2	0.35
16	3020166	NUT	KM19 NYLOC M95X2	6	0.54
17	28763001	CYLINDER	160/100X855	1	164.79
18	28762001	CYLINDER	160/100X855	1	169.55
19	90013832	GLIDE PAD	40-14	10	0.01
20	90020586	COVER	NOSTOSYL	1	19.17
21	90013105	AXLE	45-164	1	1.94
22	90013106	WASHER	56/31-8	1	0.08
23	3020144	NUT	M30X1.5 ZN NYLOC	1	0.1
24	90020582	SLEEVE	125/100-25	2	0.86
25	3281270	DECAL	KESLA 2024T	2	0.14
26	3281135	DECAL	VAARA-ALUE 25 M, 730X80	2	0.1
27	3280507	PLATE	MALLI CE (120X45) LIIMATTAVA TUOTEKILPI	1	0.03
28	3280264	DECAL	VARO JÄNNITTEISTÄ. (130X160) FI,SV	1	0.02
29	90024110	COVER	SIIRTOSYL. SUOJA HITS	1	18.65
30	90024111	FASTENER	SIIRTOSYL. SUOJAAN	1	1.05
31	3010604	ALLEN SCREW	M12X20 8.8 DIN 912	4	0

90000328

NOSTURI



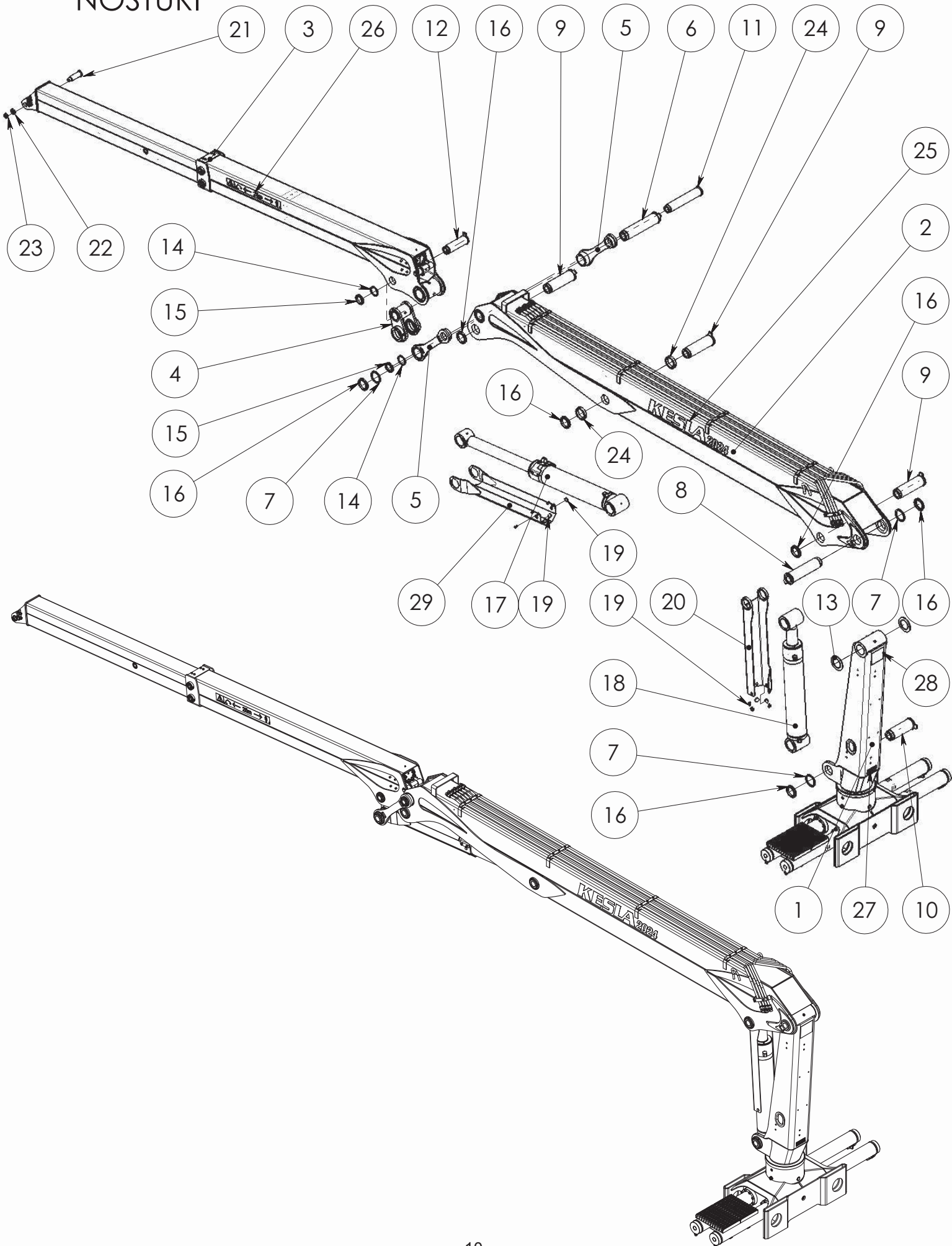


Item code	90000328	Revision	-
Title	CRANE	Date	09.12.2008
Specification	L=9400 CAB		

Pos	Item code	Title	Specification	Pc	Nto Weight
1	90023610	SLEW MECHANNISM	42 KNM VAR	1	992.68
2	90022333	LIFT BOOM	L=5200 CAB	1	698.95
3	90020589	OUTER BOOM	L=4400	1	432.14
4	90020495	DRAW BAR	VAR	1	21.35
5	90024113	LINK	SIVUTANKO	2	11.14
6	90020454	AXLE	100/M95X2-457 HITS	1	19.33
7	90015230	WASHER	125/101-6	3	0.2
8	90024098	AXLE	100/M95X2-417 HITS	1	17.64
9	90020452	AXLE	100/M95X2-348 HITS	3	14.75
10	90020451	AXLE	100/M95X2-307 HITS	1	12.98
11	90020470	AXLE	80-450 HITS	1	12.12
12	90020469	AXLE	80-280 HITS	1	7.53
13	90010010	BEARING	152/100,5 - 5	2	0.06
14	90013697	WASHER	100/81-6	2	0.13
15	3020158	NUT	KM15 NYLOC M75X2	2	0.35
16	3020166	NUT	KM19 NYLOC M95X2	6	0.54
17	28763001	CYLINDER	160/100X855	1	164.79
18	28762001	CYLINDER	160/100X855	1	169.55
19	90013832	GLIDE PAD	40-14	10	0.01
20	90020586	COVER	NOSTOSYL	1	19.17
21	90013105	AXLE	45-164	1	1.94
22	90013106	WASHER	56/31-8	1	0.08
23	3020144	NUT	M30X1.5 ZN NYLOC	1	0.1
24	90020582	SLEEVE	125/100-25	2	0.86
25	3281270	DECAL	KESLA 2024T	2	0.14
26	3281135	DECAL	VAARA-ALUE 25 M, 730X80	2	0.1
27	3280507	PLATE	MALLI CE (120X45) LIIMATTAVA TUOTEKILPI	1	0.03
28	3280264	DECAL	VARO JÄNNITTEISTÄ. (130X160) FI,SV	1	0.02
29	90024110	COVER	SIIRTOSYL. SUOJA HITS	1	18.65
30	90024111	FASTENER	SIIRTOSYL. SUOJAAN	1	1.05
31	3010604	ALLEN SCREW	M12X20 8.8 DIN 912	4	0

90000307

NOSTURI

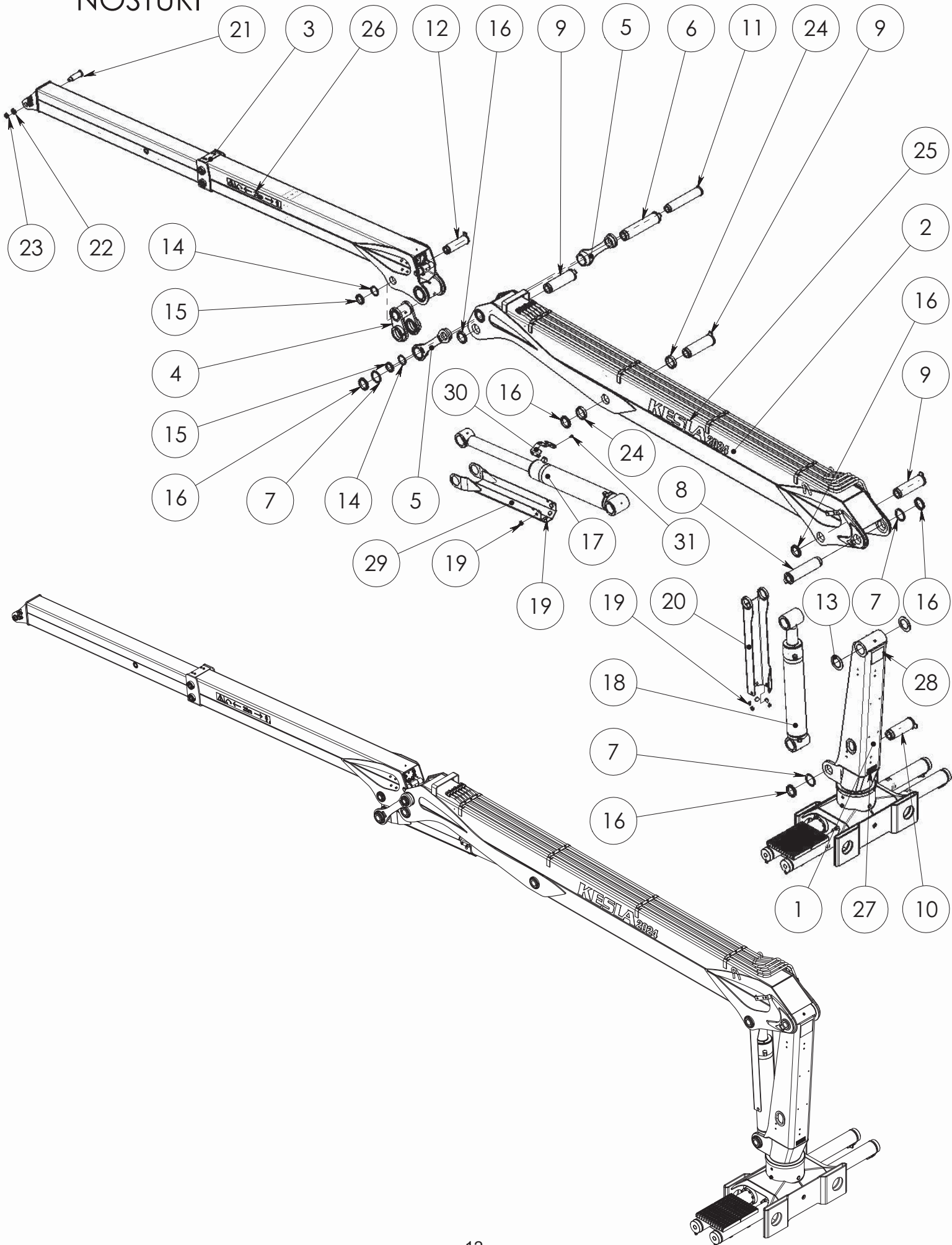


Item code	90000307	Revision	-
Title	CRANE	Date	16.11.2006
Specification	L=10400 OPEN TYPE		

Pos	Item code	Title	Specification	Pc	Nto Weight
1	90023610	SLEW MECHANNISM	42 KNM VAR	1	992.68
2	90020854	LIFT BOOM	L=5200 OPEN TYPE	1	698.01
3	90020865	OUTER BOOM	L=5400	1	505.27
4	90020495	DRAW BAR	VAR	1	21.35
5	90024113	LINK	SIVUTANKO	2	11.14
6	90020454	AXLE	100/M95X2-457 HITS	1	19.33
7	90015230	WASHER	125/101-6	3	0.2
8	90024098	AXLE	100/M95X2-417 HITS	1	17.64
9	90020452	AXLE	100/M95X2-348 HITS	3	14.75
10	90020451	AXLE	100/M95X2-307 HITS	1	12.98
11	90020470	AXLE	80-450 HITS	1	12.12
12	90020469	AXLE	80-280 HITS	1	7.53
13	90010010	BEARING	152/100,5 - 5	2	0.06
14	90013697	WASHER	100/81-6	2	0.13
15	3020158	NUT	KM15 NYLOC M75X2	2	0.35
16	3020166	NUT	KM19 NYLOC M95X2	6	0.54
17	28763001	CYLINDER	160/100X855	1	164.79
18	28762001	CYLINDER	160/100X855	1	169.55
19	90013832	GLIDE PAD	40-14	10	0.01
20	90020586	COVER	NOSTOSYL	1	19.17
21	90013105	AXLE	45-164	1	1.94
22	90013106	WASHER	56/31-8	1	0.08
23	3020144	NUT	M30X1.5 ZN NYLOC	1	0.1
24	90020582	SLEEVE	125/100-25	2	0.86
25	3281270	DECAL	KESLA 2024T	2	0.14
26	3281135	DECAL	VAARA-ALUE 25 M, 730X80	2	0.1
27	3280507	PLATE	MALLI CE (120X45) LIIMATTAVA TUOTEKILPI	1	0.03
28	3280264	DECAL	VARO JÄNNITTEISTÄ. (130X160) FI,SV	1	0.02
29	90024110	COVER	SIIRTOSYL. SUOJA HITS	1	18.65
30	90024111	FASTENER	SIIRTOSYL. SUOJAAN	1	1.05
31	3010604	ALLEN SCREW	M12X20 8.8 DIN 912	4	0

90000329

NOSTURI

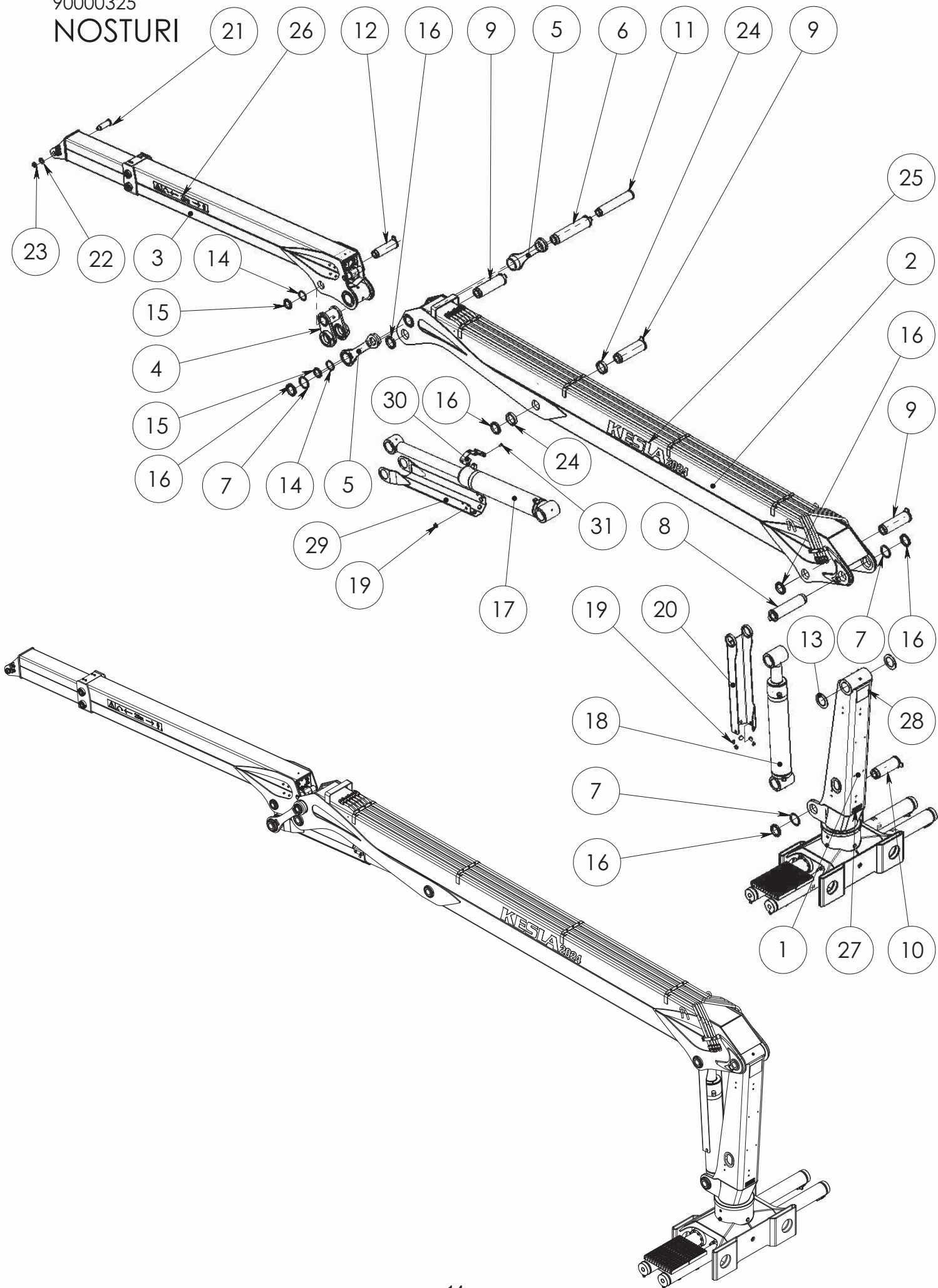


Item code	90000329	Revision	-
Title	CRANE	Date	09.12.2008
Specification	L=10400 CAB		

Pos	Item code	Title	Specification	Pc	Nto Weight
1	90023610	SLEW MECHANNISM	42 KNM VAR	1	992.68
2	90022333	LIFT BOOM	L=5200 CAB	1	698.95
3	90020865	OUTER BOOM	L=5400	1	505.27
4	90020495	DRAW BAR	VAR	1	21.35
5	90024113	LINK	SIVUTANKO	2	11.14
6	90020454	AXLE	100/M95X2-457 HITS	1	19.33
7	90015230	WASHER	125/101-6	3	0.2
8	90024098	AXLE	100/M95X2-417 HITS	1	17.64
9	90020452	AXLE	100/M95X2-348 HITS	3	14.75
10	90020451	AXLE	100/M95X2-307 HITS	1	12.98
11	90020470	AXLE	80-450 HITS	1	12.12
12	90020469	AXLE	80-280 HITS	1	7.53
13	90010010	BEARING	152/100,5 - 5	2	0.06
14	90013697	WASHER	100/81-6	2	0.13
15	3020158	NUT	KM15 NYLOC M75X2	2	0.35
16	3020166	NUT	KM19 NYLOC M95X2	6	0.54
17	28763001	CYLINDER	160/100X855	1	164.79
18	28762001	CYLINDER	160/100X855	1	169.55
19	90013832	GLIDE PAD	40-14	10	0.01
20	90020586	COVER	NOSTOSYL	1	19.17
21	90013105	AXLE	45-164	1	1.94
22	90013106	WASHER	56/31-8	1	0.08
23	3020144	NUT	M30X1.5 ZN NYLOC	1	0.1
24	90020582	SLEEVE	125/100-25	2	0.86
25	3281270	DECAL	KESLA 2024T	2	0.14
26	3281135	DECAL	VAARA-ALUE 25 M, 730X80	2	0.1
27	3280507	PLATE	MALLI CE (120X45) LIIMATTAVA TUOTEKILPI	1	0.03
28	3280264	DECAL	VARO JÄNNITTEISTÄ. (130X160) FI,SV	1	0.02
29	90024110	COVER	SIIRTOSYL. SUOJA HITS	1	18.65
30	90024111	FASTENER	SIIRTOSYL. SUOJAAN	1	1.05
31	3010604	ALLEN SCREW	M12X20 8.8 DIN 912	4	0

90000325

NOSTURI

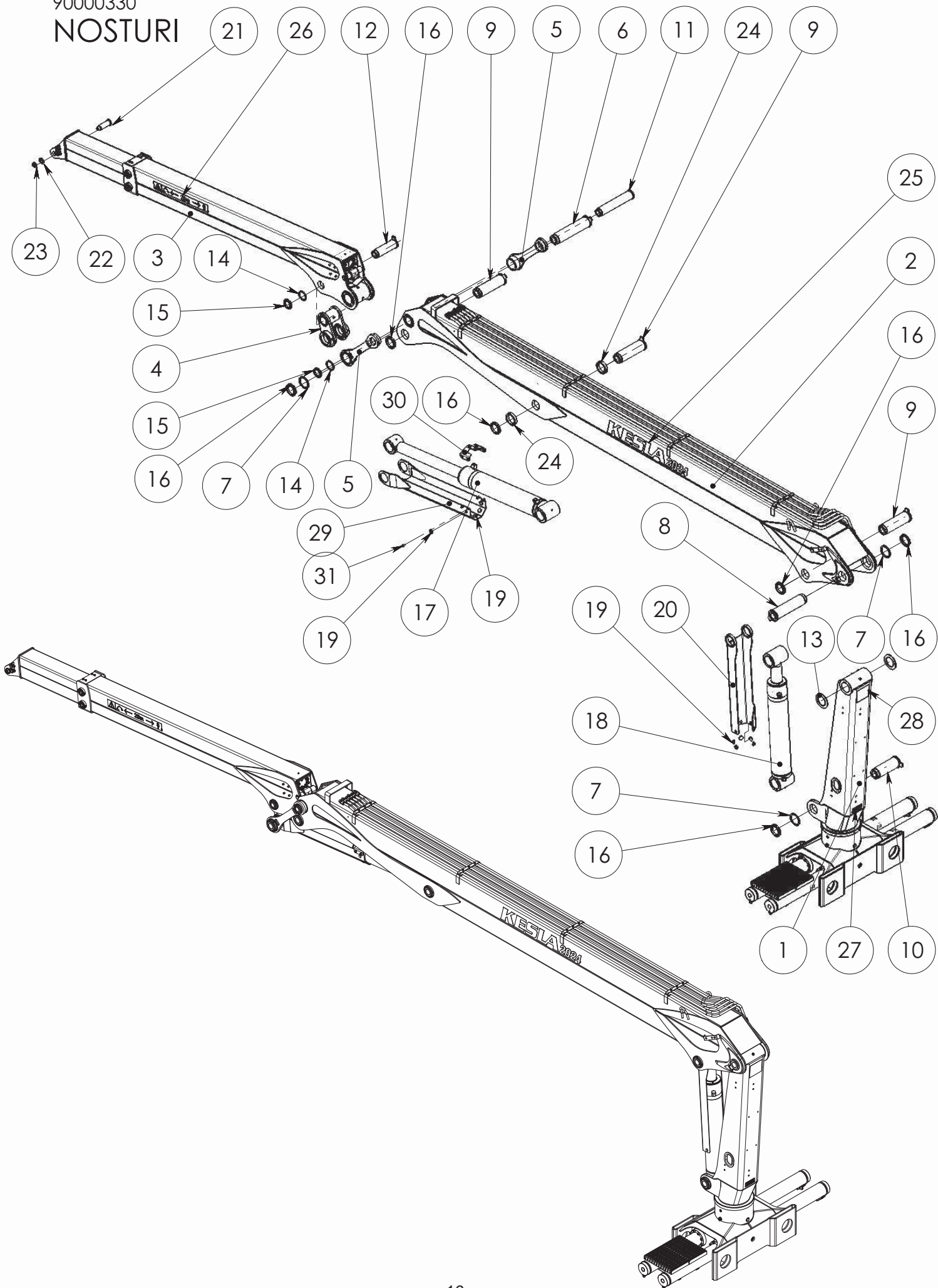


Item code	90000325	Revision	-
Title	CRANE	Date	10.12.2008
Specification	L=11400 OPEN TYPE		

Pos	Item code	Title	Specification	Pc	Nto Weight
1	90023610	SLEW MECHANNISM	42 KNM VAR	1	992.68
2	90022881	LIFT BOOM	L=5900 OPEN TYPE	1	766.86
3	90022519	OUTER BOOM	L=5700	1	518.08
4	90020495	DRAW BAR	VAR	1	21.35
5	90024113	LINK	SIVUTANKO	2	11.14
6	90020454	AXLE	100/M95X2-457 HITS	1	19.33
7	90015230	WASHER	125/101-6	3	0.2
8	90024098	AXLE	100/M95X2-417 HITS	1	17.64
9	90020452	AXLE	100/M95X2-348 HITS	3	14.75
10	90020451	AXLE	100/M95X2-307 HITS	1	12.98
11	90020470	AXLE	80-450 HITS	1	12.12
12	90020469	AXLE	80-280 HITS	1	7.53
13	90010010	BEARING	152/100,5 - 5	2	0.06
14	90013697	WASHER	100/81-6	2	0.13
15	3020158	NUT	KM15 NYLOC M75X2	2	0.35
16	3020166	NUT	KM19 NYLOC M95X2	6	0.54
17	28763001	CYLINDER	160/100X855	1	164.79
18	28762001	CYLINDER	160/100X855	1	169.55
19	90013832	GLIDE PAD	40-14	10	0.01
20	90020586	COVER	NOSTOSYL	1	19.17
21	90013105	AXLE	45-164	1	1.94
22	90013106	WASHER	56/31-8	1	0.08
23	3020144	NUT	M30X1.5 ZN NYLOC	1	0.1
24	90020582	SLEEVE	125/100-25	2	0.86
25	3281270	DECAL	KESLA 2024T	2	0.14
26	3281135	DECAL	VAARA-ALUE 25 M, 730X80	2	0.1
27	3280507	PLATE	MALLI CE (120X45) LIIMATTAVA TUOTEKILPI	1	0.03
28	3280264	DECAL	VARO JÄNNITTEISTÄ. (130X160) FI,SV	1	0.02
29	90024110	COVER	SIIRTOSYL. SUOJA HITS	1	18.65
30	90024111	FASTENER	SIIRTOSYL. SUOJAAN	1	1.05
31	3010604	ALLEN SCREW	M12X20 8.8 DIN 912	4	0

90000330

NOSTURI



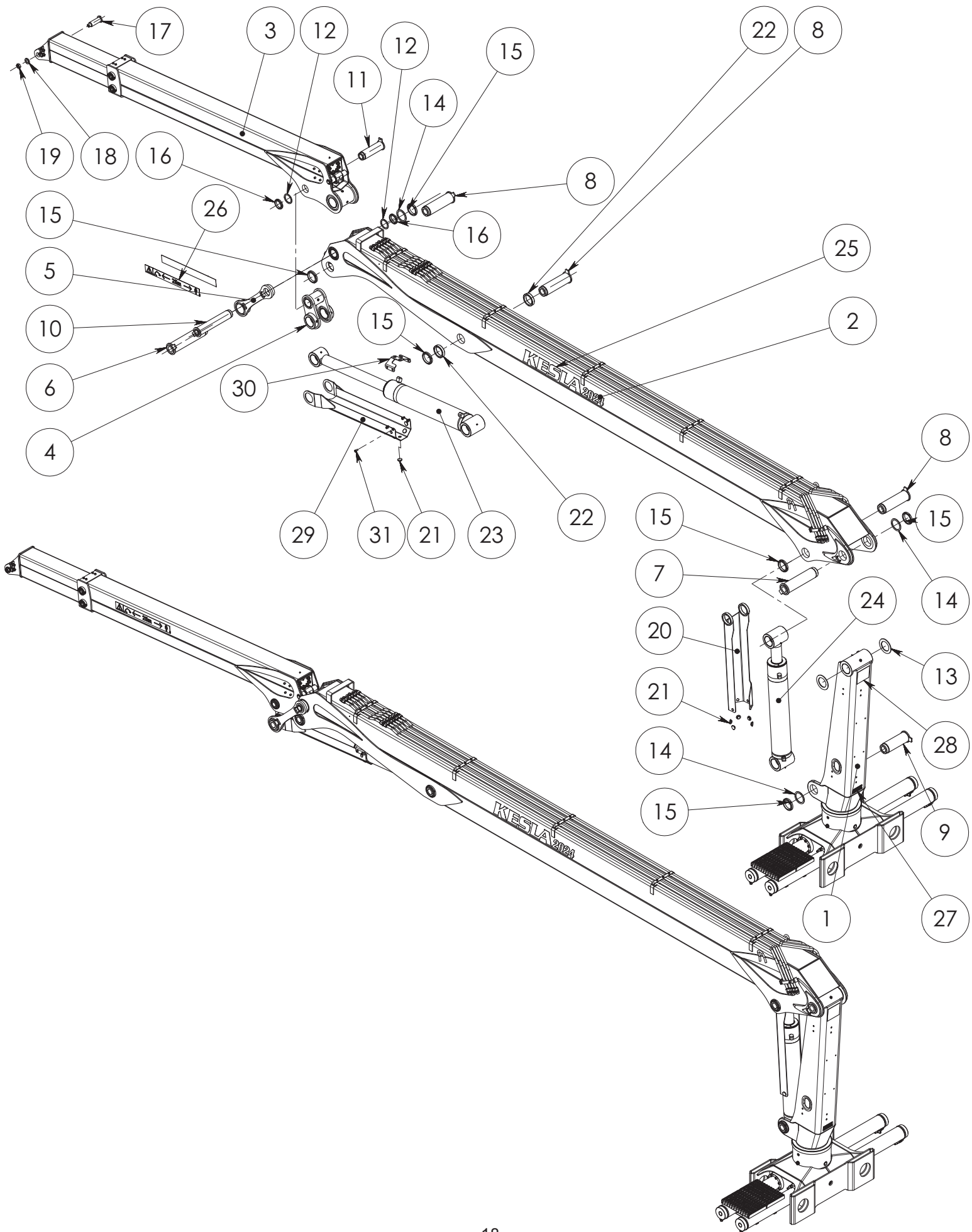


Item code	90000330	Revision	-
Title	CRANE	Date	10.12.2008
Specification	L=11400 CAB		

Pos	Item code	Title	Specification	Pc	Nto Weight
1	90020496	SLEW MECHANNISM	42 KNM	1	1032.79
2	90022699	LIFT BOOM	L=5900 CAB	1	769.05
3	90022519	OUTER BOOM	L=5700	1	3525.32
4	90020495	DRAW BAR	VAR	1	21.35
5	90024113	LINK	SIVUTANKO	2	11.14
6	90020454	AXLE	100/M95X2-457 HITS	1	19.33
7	90015230	WASHER	125/101-6	3	0.2
8	90024098	AXLE	100/M95X2-417 HITS	1	17.64
9	90020452	AXLE	100/M95X2-348 HITS	3	14.75
10	90020451	AXLE	100/M95X2-307 HITS	1	12.98
11	90020470	AXLE	80-450 HITS	1	12.12
12	90020469	AXLE	80-280 HITS	1	7.53
13	90010010	BEARING	152/100,5 - 5	2	0.06
14	90013697	WASHER	100/81-6	2	0.13
15	3020158	NUT	KM15 NYLOC M75X2	2	0.35
16	3020166	NUT	KM19 NYLOC M95X2	6	0.54
17	28763001	CYLINDER	160/100X855	1	164.79
18	28762001	CYLINDER	160/100X855	1	169.55
19	90013832	GLIDE PAD	40-14	10	0.01
20	90020586	COVER	NOSTOSYL	1	19.17
21	90013105	AXLE	45-164	1	1.94
22	90013106	WASHER	56/31-8	1	0.08
23	3020144	NUT	M30X1.5 ZN NYLOC	1	0.1
24	90020582	SLEEVE	125/100-25	2	0.86
25	3281270	DECAL	KESLA 2024T	2	0.14
26	3281135	DECAL	VAARA-ALUE 25 M, 730X80	2	0.1
27	3280507	PLATE	MALLI CE (120X45) LIIMATTAVA TUOTEKILPI	1	0.03
28	3280264	DECAL	VARO JÄNNITTEISTÄ. (130X160) FI,SV	1	0.02
29	90024110	COVER	SIIRTOSYL. SUOJA HITS	1	18.65
30	90024111	FASTENER	SIIRTOSYL. SUOJAAN	1	1.05
31	3010604	ALLEN SCREW	M12X20 8.8 DIN 912	4	0

90000323

NOSTURI

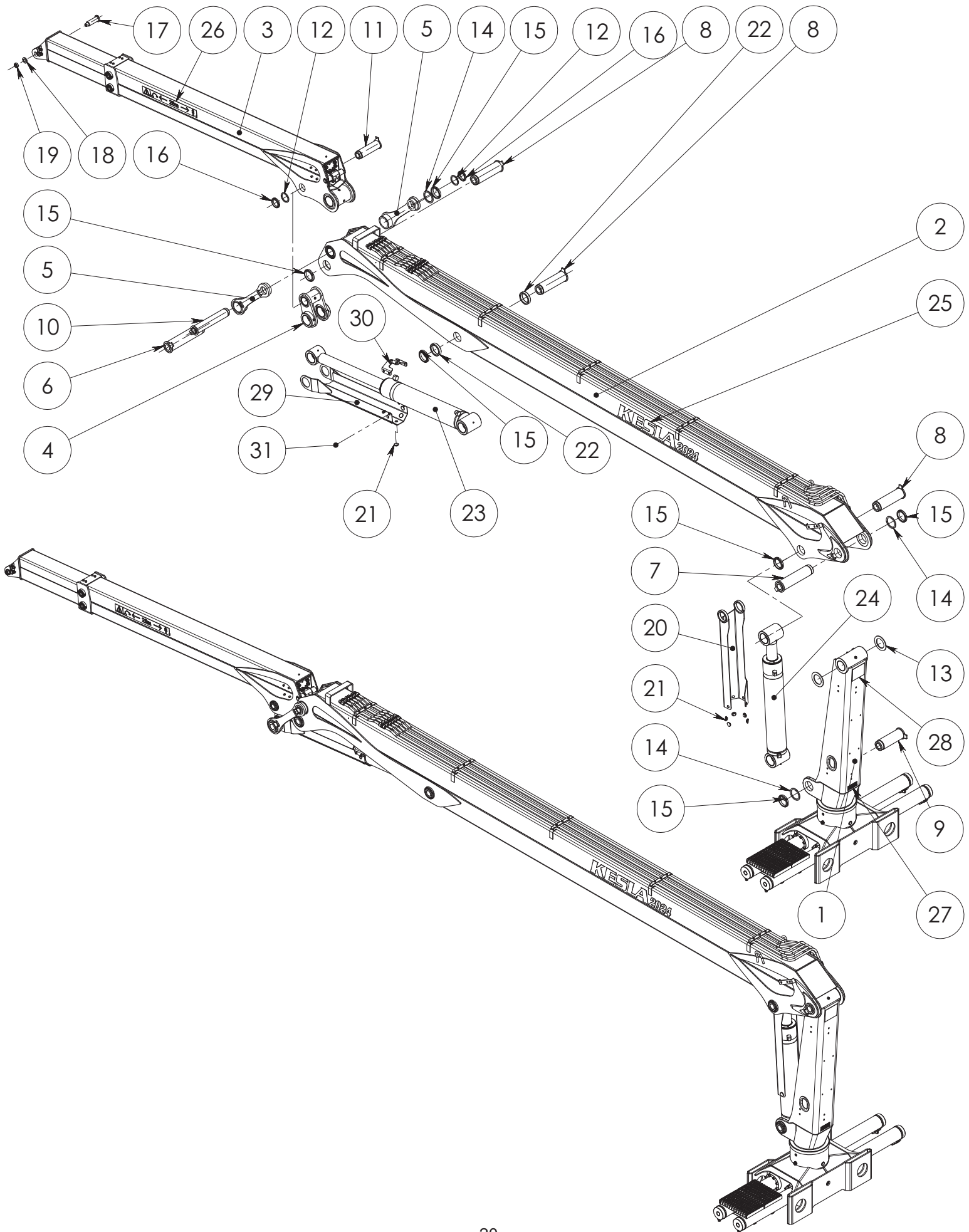


Item code	9000323	Revision	-
Title	CRANE	Date	11.12.2008
Specification	L=12400 OPEN TYPE		

Pos	Item code	Title	Specification	Pc	Nto Weight
1	90023610	SLEW MECHANNISM	42 KNM VAR	1	992.68
2	90022451	LIFT BOOM	L=6900 OPEN-TYPE	1	874.53
3	90022519	OUTER BOOM	L=5700	1	518.08
4	90020495	DRAW BAR	VAR	1	21.35
5	90024113	LINK	SIVUTANKO	2	11.14
6	90020454	AXLE	100/M95X2-457 HITS	1	19.33
7	90024098	AXLE	100/M95X2-417 HITS	1	17.64
8	90020452	AXLE	100/M95X2-348 HITS	3	14.75
9	90020451	AXLE	100/M95X2-307 HITS	1	12.98
10	90020470	AXLE	80-450 HITS	1	12.12
11	90020469	AXLE	80-280 HITS	1	7.53
12	90013697	WASHER	100/81-6	2	0.13
13	90010010	BEARING	152/100,5 - 5	4	0.06
14	90015230	WASHER	125/101-6	3	0.2
15	3020166	NUT	KM19 NYLOC M95X2	6	0.54
16	3020158	NUT	KM15 NYLOC M75X2	2	0.35
17	90013105	AXLE	45-164	1	1.94
18	90013106	WASHER	56/31-8	1	0.08
19	3020144	NUT	M30X1.5 ZN NYLOC	1	0.1
20	90020586	COVER	NOSTOSYL	1	19.17
21	90013832	GLIDE PAD	40-14	10	0.01
22	90020582	SLEEVE	125/100-25	2	0.86
23	28763001	CYLINDER	160/100X855	1	164.79
24	28762001	CYLINDER	160/100X855	1	169.55
25	3281270	DECAL	KESLA 2024T	2	0.14
26	3281135	DECAL	VAARA-ALUE 25 M, 730X80	2	0.1
27	3280507	PLATE	MALLI CE (120X45) LIIMATTAVA TUOTEKILPI	1	0.03
28	3280264	DECAL	VARO JÄNNITTEISTÄ. (130X160) FI,SV	2	0.02
29	90024110	COVER	SIIRTOSYL. SUOJA HITS	1	18.65
30	90024111	FASTENER	SIIRTOSYL. SUOJAAN	1	1.05
31	3010604	ALLEN SCREW	M12X20 8.8 DIN 912	4	0
32	3280231	DECAL	OHJAUSKAAVIO, 2-VIPU (MUOVI 120X120)	1	

90000331

NOSTURI

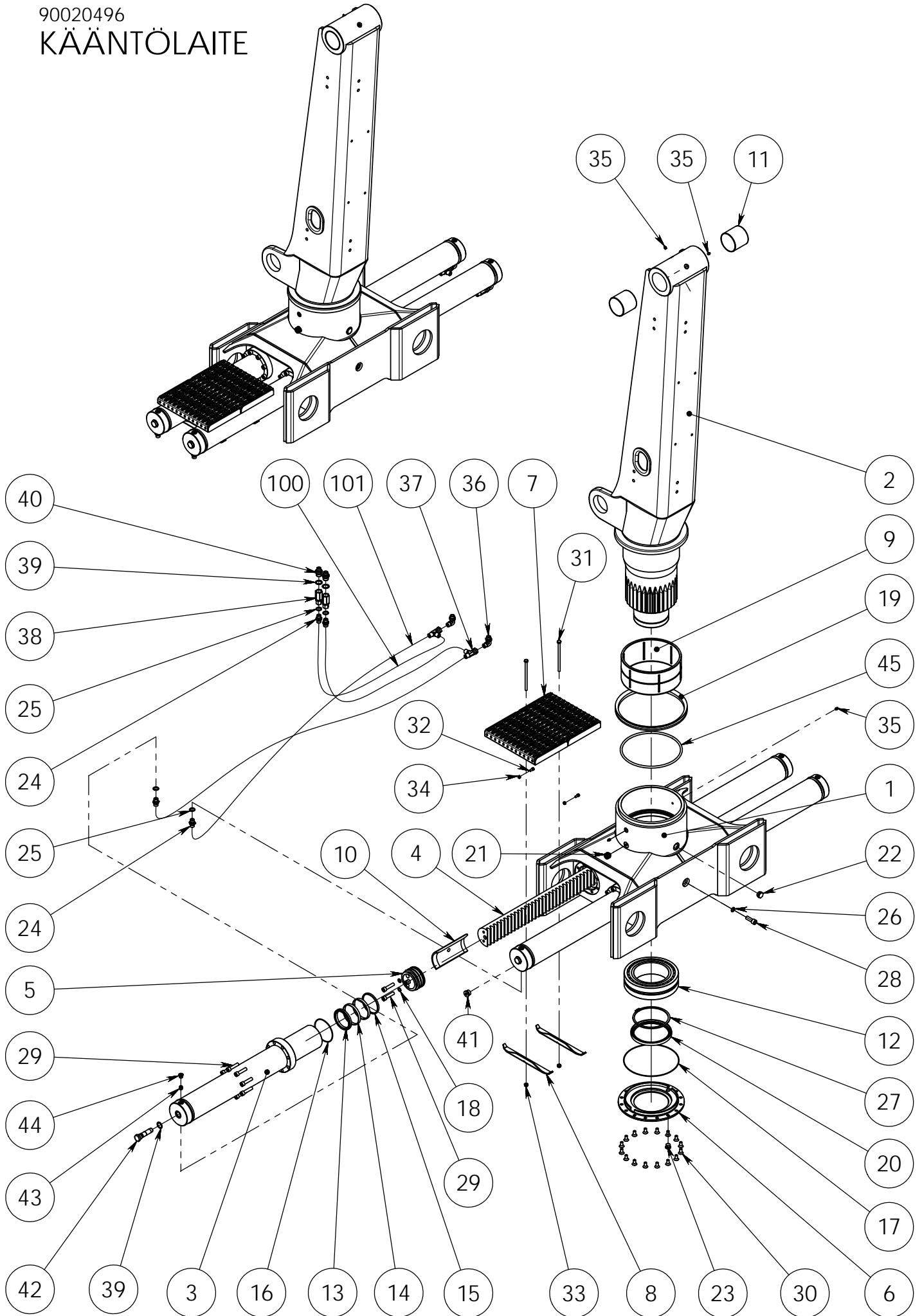


Item code	90000331	Revision	-
Title	CRANE	Date	11.12.2008
Specification	L=12400 CAB		

Pos	Item code	Title	Specification	Pc	Nto Weight
1	90023610	SLEW MECHANNISM	42 KNM VAR	1	992.68
2	90022647	LIFT BOOM	L=6900 CAB	1	874.68
3	90022519	OUTER BOOM	L=5700	1	518.08
4	90020495	DRAW BAR	VAR	1	21.35
5	90024113	LINK	SIVUTANKO	2	11.14
6	90020454	AXLE	100/M95X2-457 HITS	1	19.33
7	90024098	AXLE	100/M95X2-417 HITS	1	17.64
8	90020452	AXLE	100/M95X2-348 HITS	3	14.75
9	90020451	AXLE	100/M95X2-307 HITS	1	12.98
10	90020470	AXLE	80-450 HITS	1	12.12
11	90020469	AXLE	80-280 HITS	1	7.53
12	90013697	WASHER	100/81-6	2	0.13
13	90010010	BEARING	152/100,5 - 5	4	0.06
14	90015230	WASHER	125/101-6	3	0.2
15	3020166	NUT	KM19 NYLOC M95X2	6	0.54
16	3020158	NUT	KM15 NYLOC M75X2	2	0.35
17	90013105	AXLE	45-164	1	1.94
18	90013106	WASHER	56/31-8	1	0.08
19	3020144	NUT	M30X1.5 ZN NYLOC	1	0.1
20	90020586	COVER	NOSTOSYL	1	19.17
21	90013832	GLIDE PAD	40-14	10	0.01
22	90020582	SLEEVE	125/100-25	2	0.86
23	28763001	CYLINDER	160/100X855	1	164.79
24	28762001	CYLINDER	160/100X855	1	169.55
25	3281270	DECAL	KESLA 2024T	2	0.14
26	3281135	DECAL	VAARA-ALUE 25 M, 730X80	2	0.1
27	3280507	PLATE	MALLI CE (120X45) LIIMATTAVA TUOTEKILPI	1	0.03
28	3280264	DECAL	VARO JÄNNITTEISTÄ. (130X160) FI,SV	1	0.02
29	90024110	COVER	SIIRTOSYL. SUOJA HITS	1	18.65
30	90024111	FASTENER	SIIRTOSYL. SUOJAAN	1	1.05
31	3010604	ALLEN SCREW	M12X20 8.8 DIN 912	4	0

90020496

KÄÄNTÖLAITE



Item code	90020496	Revision	A
Title	SLEW MECHANNISM	Date	30.03.2005
Specification	42 KNM		

Pos	Item code	Title	Specification	Pc	Nto Weight
1	90020672	SLEW MECHANNISM	RUNKO, VAIHE 2 HITS	1	323.25
2	90020412	PILLAR	L=1625	1	456.86
3	90023663	CYLINDER		4	27.98
4	90020396	RACK BAR	100-1105	2	44.59
5	90019738	PISTON	D=115	4	4.07
6	90020387	FLANGE		1	5.71
7	90013146	STEP		2	2.25
8	90010239	FLAT BAR		2	0.58
9	90020401	BEARING	310/290-140	1	1.48
10	90020397	BEARING	105/127.6-227	2	0.34
11	3100176	BUSHING	WB 802 10095	2	0.6
12	3100345	ROLLER BEARING	23036 CC/W33	1	13
13	3110768	PISTON SEAL	T18 115/95X13	4	0.28
14	3110769	PISTON GUIDE	E/PWR 115/109X13	8	0.1
15	3110770	WIPER SEAL	PPW 115/106.4X5.3	4	0.07
16	3110461	O-RING	124.5X3.0 70 SHORE	4	0.02
17	3110785	O-RING	280X3.0 70 SHORE	1	0.05
18	3110652	SEAL	M14 14.7X21.0X1.5	8	0
19	3110869	SEAL	VA-350	1	1.93
20	3110870	SEAL	180/210 X 15 DIN 3760 AS	1	0.59
21	3091042	BREATHER		1	0.11
22	3090294	OIL LEVEL INDICATOR		1	0.01
23	3090212	PLUG		1	0.05
24	3090019	CONNECTOR (STRAIGHT)	04000-08 R1/2"	4	0.1
25	3110042	SEAL	R-08 R 1/2"	4	0.01
26	3110040	SEAL	R-06 R 3/8"	2	0
27	3060097	SNAP RING	180X4 DIN 471	1	0
28	3010273	ALLEN SCREW	M16X45 8.8 DIN 912	2	0
29	3010601	ALLEN SCREW	M14X60 12.9 DIN 912	40	0
30	3010315	ALLEN SCREW	M12X25 10.9 ZN DIN 7991	16	0
31	3010670	HEW SCREW	M10X180 8.8 ZN DIN 931	2	0
32	3010292	ALLEN SCREW	M8X16 8.8 ZN DIN 912	2	0
33	3020004	NUT	M10 ZN DIN 985	2	0.01
34	3020001	NUT	M8 ZN DIN 985	2	0.01
35	3050020	GREASE NIPPLE	R 1/8" ZN	4	0.01
36	3090428	CONNECTOR (ANGLE)	26-04500-08	2	0.17

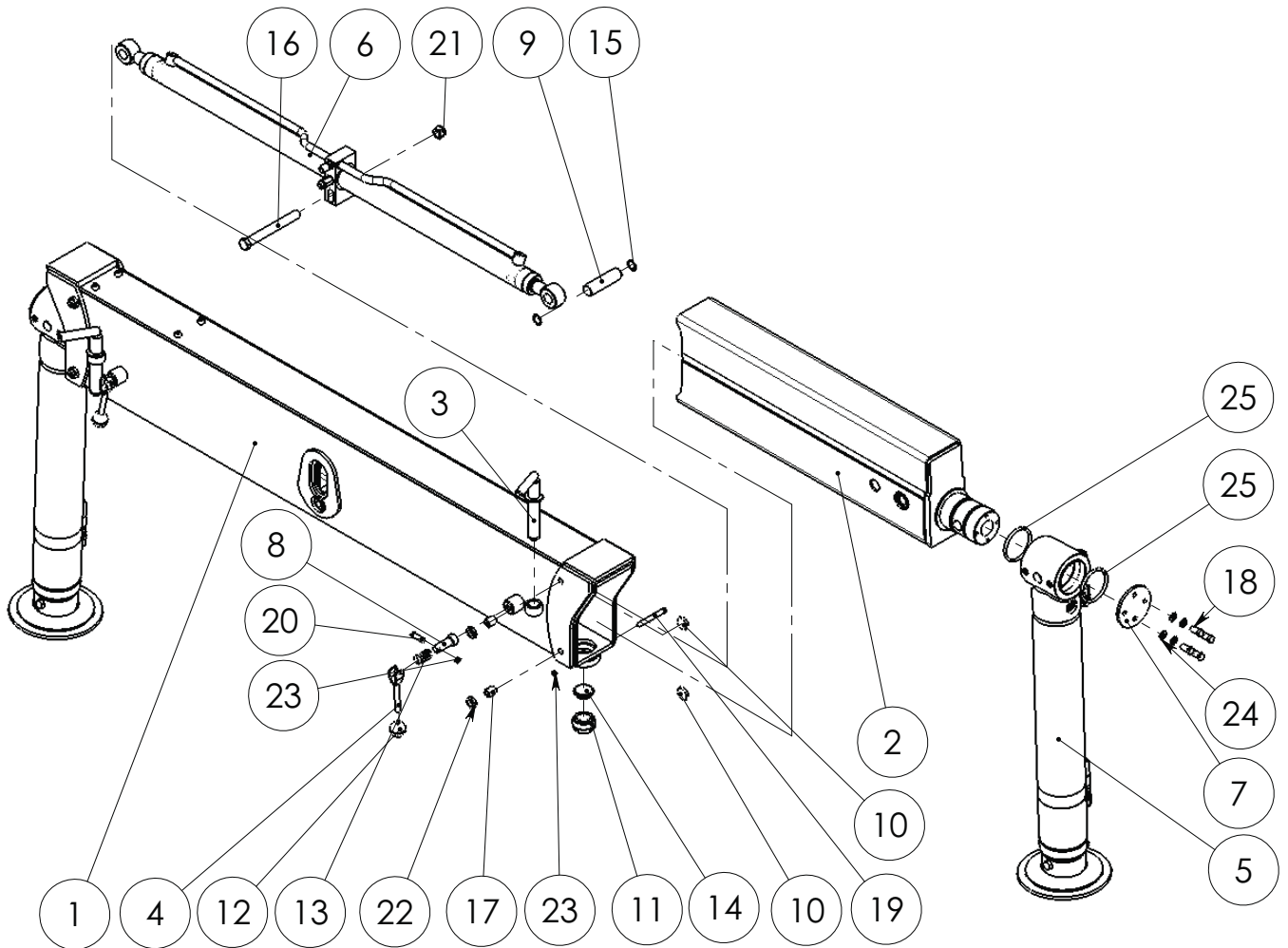
Item code	90020496	Revision	A
Title	SLEW MECHANNISM	Date	30.03.2005
Specification	42 KNM		

Pos	Item code	Title	Specification	Pc	Nto Weight
37	3091107	CONNECTOR (T)	04880-08	2	0.24
38	3090368	CONNECTOR	TEMA 500	2	0.32
39	3110130	SEAL	R-12 R 3/4"	6	0.01
40	3090053	CONNECTOR (STRAIGHT)	04000-08-12	2	0.14
41	3090209	PLUG		1	0.08
42	90023662	DAMPER	R 3/4"	4	0.31
43	3120363	CHECK VALVE		4	0.02
44	3090210	PLUG		4	0.03
45	3110964	O-RING	300x10 70 SHORE	1	0.6
100	3130994S	HYDRAULIC HOSE	5201-08/HI-98C-08/5251-08/L=2000	2	
101	3130489S	HYDRAULIC HOSE	5251-08/HI-98C-08/5201-08/L=2200 TEX	2	



90020806

TUKIJALKA

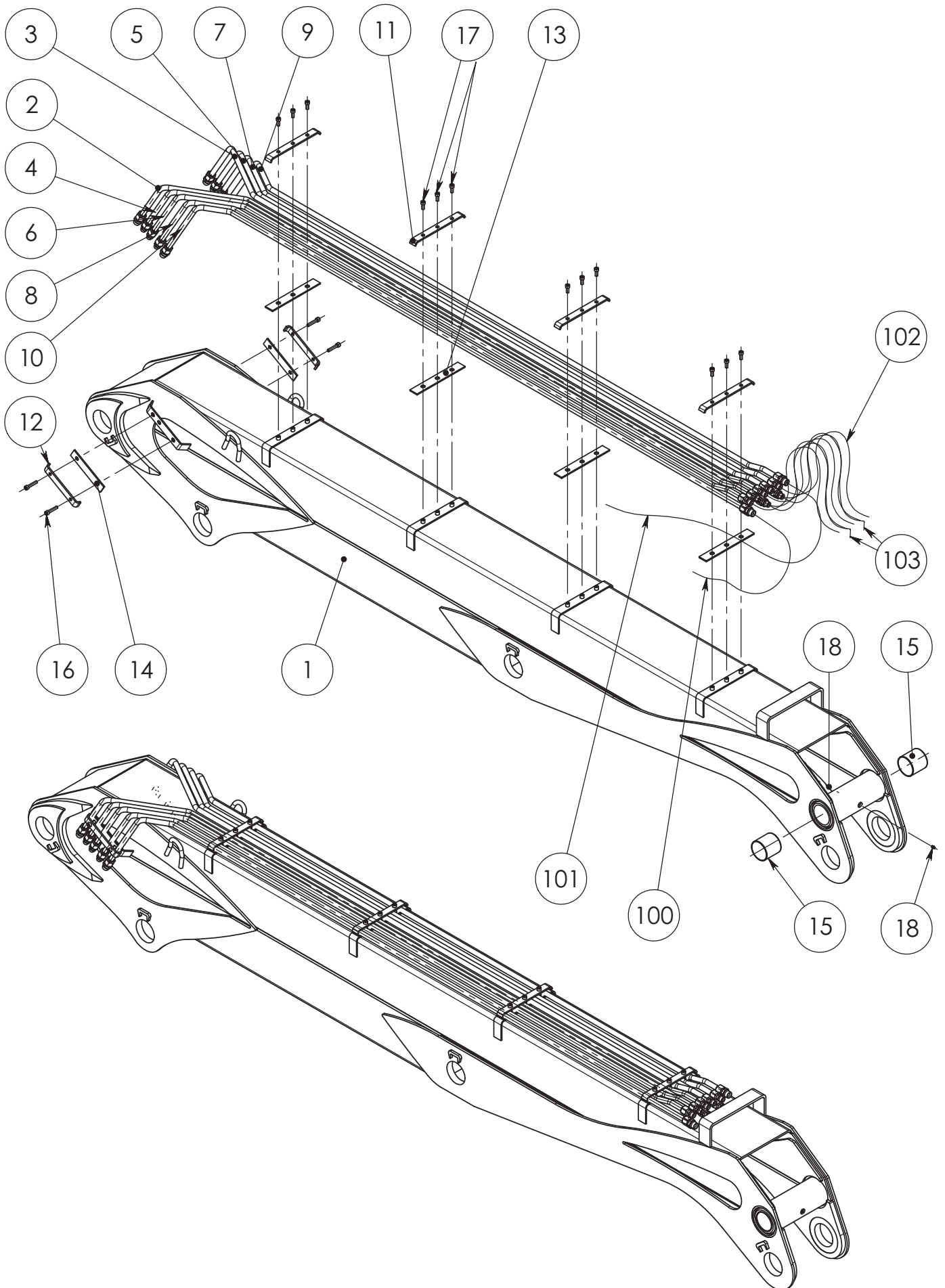


Item code	90020806	Revision	A
Title	STABILIZER	Date	25.08.2005
Specification	JALKAVAR MITTAPIIRROS		

Pos	Item code	Title	Specification	Pc	Nto Weight
1	90020785	BEAM	HITS	1	157.18
2	90020793	CONTROL ARM	VAKIO HITS	2	55.37
3	90011249	AXLE	HITS	2	1.43
4	90012844	LEVER	10-120	2	0.16
5	28773001	CYLINDER	110/90X600	2	63.36
6	28812001	CYLINDER	50/30X2X600	1	8.17
7	90011250	FLANGE	135 - 8	2	0.73
8	90012843	SPINDLE	28/18-76	2	0.2
9	90020802	AXLE	30-122	2	0.68
10	90020807	GLIDE PAD	35 - 8	4	0.01
11	90016090	FASTENER		2	0.35
12	3120453	KNOB		2	0.25
13	3300533	SPRING	18/45/7.6/6.88 -1643 SF-TF3	2	0.02
14	90011001	GLIDE PAD	D=55-19/7	2	0.03
15	3060019	SNAP RING	30 DIN 472	4	0
16	3010672	HEW SCREW	M20X200 8.8 ZN DIN 931	1	0
17	3010312	ALLEN SCREW	M20X30 10.9 ZN DIN 913	4	0
18	3010048	HEW SCREW	M12X30 8.8 ZN DIN 933	8	0
19	3010447	HEW SCREW	M8X100 8.8 ZN DIN 931	2	0
20	3010441	HEW SCREW	M8X40 8.8 ZN DIN 931	2	0
21	3020009	NUT	M20 ZN DIN 985	1	0.07
22	3020014	NUT	M20 ZN DIN 936	4	0
23	3020001	NUT	M8 ZN DIN 985	4	0.01
24	3030096	WASHER	M12 ZN DIN 125	8	0.01
25	3110934	SEAL	O 94,5X3 70 SHORE	4	0.02

90020597

# NOSTOPUOMI

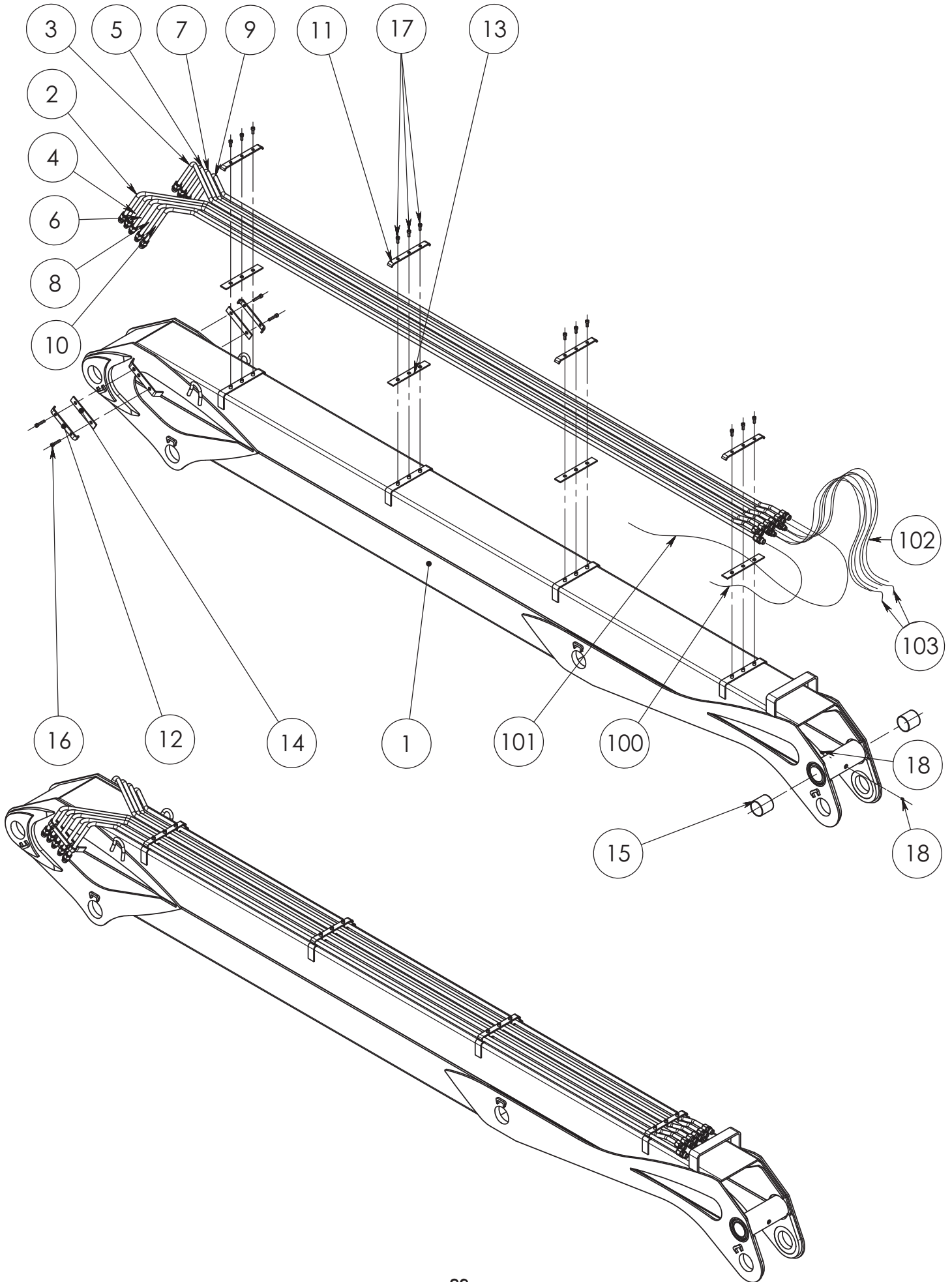


Item code	90020597	Revision	-
Title	LIFT BOOM	Date	23.05.2005
Specification	L=4000 OPEN TYPE		

Pos	Item code	Title	Specification	Pc	Nto Weight
1	90020430	LIFT BOOM	L=4000	1	535.6
2	90020599	PIPE	1 RIGHT KOK	1	4.14
3	90020600	PIPE	1 LEFT KOK	1	4.54
4	90020603	PIPE	2 RIGHT KOK	1	4.51
5	90020605	PIPE	2 LEFT KOK	1	4.51
6	90020609	PIPE	3 RIGHT KOK	1	4.04
7	90020611	PIPE	3 LEFT KOK	1	4.45
8	90020613	PIPE	4 RIGHT KOK	1	4
9	90020615	PIPE	4 LEFT KOK	1	4.46
10	90020618	PIPE	5 RIGHT KOK	1	4.46
11	90020625	FASTENER	6X30-284	4	0.39
12	90022330	FASTENER	6X30-250	2	0.3
13	90020626	RUBBER	5X40-265	4	0.07
14	90021961	RUBBER	5X40-190	2	
15	3100187	BUSHING	WB 802 8080	2	0.41
16	3010137	ALLEN SCREW	M10X50 8.8 ZN DIN 912	4	0
17	3010685	ALLEN SCREW	M10X25 8.8 ZN DIN 912	12	0
18	3050003	GREASE NIPPLE	M8X1,25 DIN 71412	2	0
100	3131720	HYDRAULIC HOSE	5601-12/HI-33-12/5660-12/L=1250	1	
101	3132308	HYDRAULIC HOSE	5601-12/HI-33-12/5601-12/L=2050	1	
102	3130357	HYDRAULIC HOSE	5201-08/HI-98C-08/5201-08/L=1300	4	
103	3130846	HYDRAULIC HOSE	5751-08/HI-98C-08/5701-08/L=1250	2	

90020854

# NOSTOPUOMI

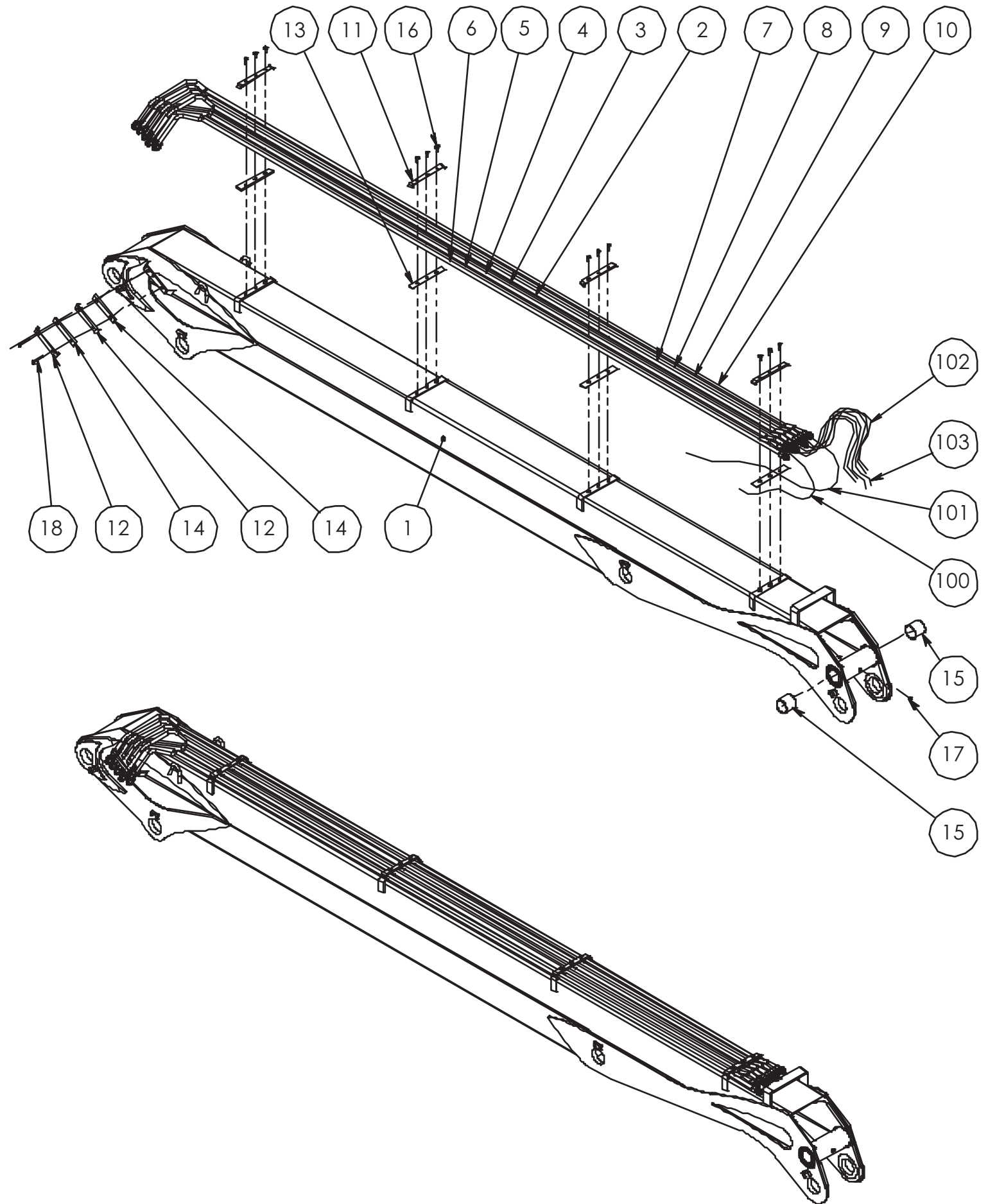


Item code	90020854	Revision	-
Title	LIFT BOOM	Date	21.09.2005
Specification	L=5200 OPEN TYPE		

Pos	Item code	Title	Specification	Pc	Nto Weight
1	90020832	LIFT BOOM	L=5200	1	644
2	90020834	PIPE	1 RIGHT KOK	1	5.43
3	90020836	PIPE	1 LEFT KOK	1	5.83
4	90020838	PIPE	2 RIGHT KOK	1	5.8
5	90020840	PIPE	2 LEFT KOK	1	5.8
6	90020842	PIPE	3 RIGHT KOK	1	5.34
7	90020844	PIPE	3 LEFT KOK	1	5.74
8	90020848	PIPE	4 RIGHT KOK	1	5.29
9	90020850	PIPE	4 LEFT KOK	1	5.76
10	90020852	PIPE	5 RIGHT KOK	1	5.76
11	90020625	FASTENER	6X30-284	4	0.39
12	90022330	FASTENER	6X30-250	2	0.3
13	90020626	RUBBER	5X40-265	4	0.07
14	90021961	RUBBER	5X40-190	2	
15	3100187	BUSHING	WB 802 8080	2	0.41
16	3010137	ALLEN SCREW	M10X50 8.8 ZN DIN 912	4	0
17	3010685	ALLEN SCREW	M10X25 8.8 ZN DIN 912	12	0
18	3050003	GREASE NIPPLE	M8X1,25 DIN 71412	2	0
100	3131720	HYDRAULIC HOSE	5601-12/HI-33-12/5660-12/L=1250	1	
101	3132308	HYDRAULIC HOSE	5601-12/HI-33-12/5601-12/L=2050	1	
102	3130357	HYDRAULIC HOSE	5201-08/HI-98C-08/5201-08/L=1300	4	
103	3130846	HYDRAULIC HOSE	5751-08/HI-98C-08/5701-08/L=1250	2	

90022699

# NOSTOPUOMI



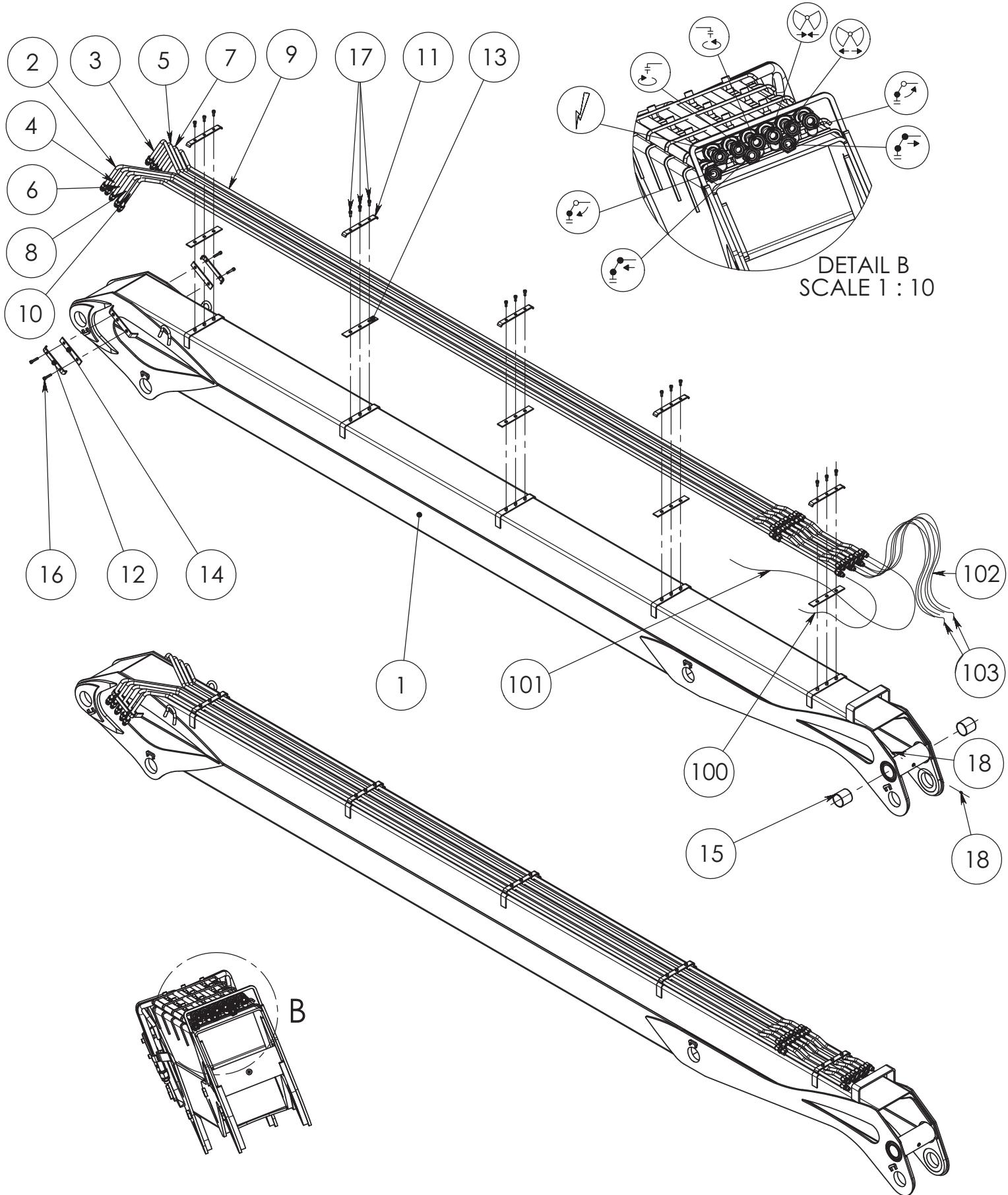
Item code	90022699	Revision	-
Title	LIFT BOOM	Date	18.08.2008
Specification	L=5900 CAB		

Pos	Item code	Title	Specification	Pc	Nto Weight
1	90022698	LIFT BOOM	L=5900	1	707.23
2	90022701	PIPE	1 RIGHT	1	6.22
3	90022705	PIPE	2 RIGHT	1	6.56
4	90022709	PIPE	3 RIGHT	1	6.09
5	90022714	PIPE	4 RIGHT	1	6.05
6	90022818	PIPE	5 RIGTH	1	6.52
7	90022703	PIPE	1 LEFT	1	6.72
8	90022707	PIPE	2 LEFT	1	6.75
9	90022711	PIPE	3 LEFT	1	6.76
10	90022716	PIPE	4 LEFT	1	6.89
11	90020625	FASTENER	6X30-284	4	0.39
12	90022330	FASTENER	6X30-250	2	0.3
13	90020626	RUBBER	5X40-265	4	0.07
14	90021961	RUBBER	5X40-190	2	
15	3100187	BUSHING	WB 802 8080	2	0.41
16	3010685	ALLEN SCREW	M10X25 8.8 ZN DIN 912	12	0
17	3050003	GREASE NIPPLE	M8X1,25 DIN 71412	2	0
18	3010274	ALLEN SCREW	M10X70 8.8 ZN DIN 912	2	0
100	3131720	HYDRAULIC HOSE	5601-12/HI-33-12/5660-12/L=1250	1	
101	3132308	HYDRAULIC HOSE	5601-12/HI-33-12/5601-12/L=2050	1	
102	3130357	HYDRAULIC HOSE	5201-08/HI-98C-08/5201-08/L=1300	4	
103	3130846	HYDRAULIC HOSE	5751-08/HI-98C-08/5701-08/L=1250	2	



90022451

# NOSTOPUOMI

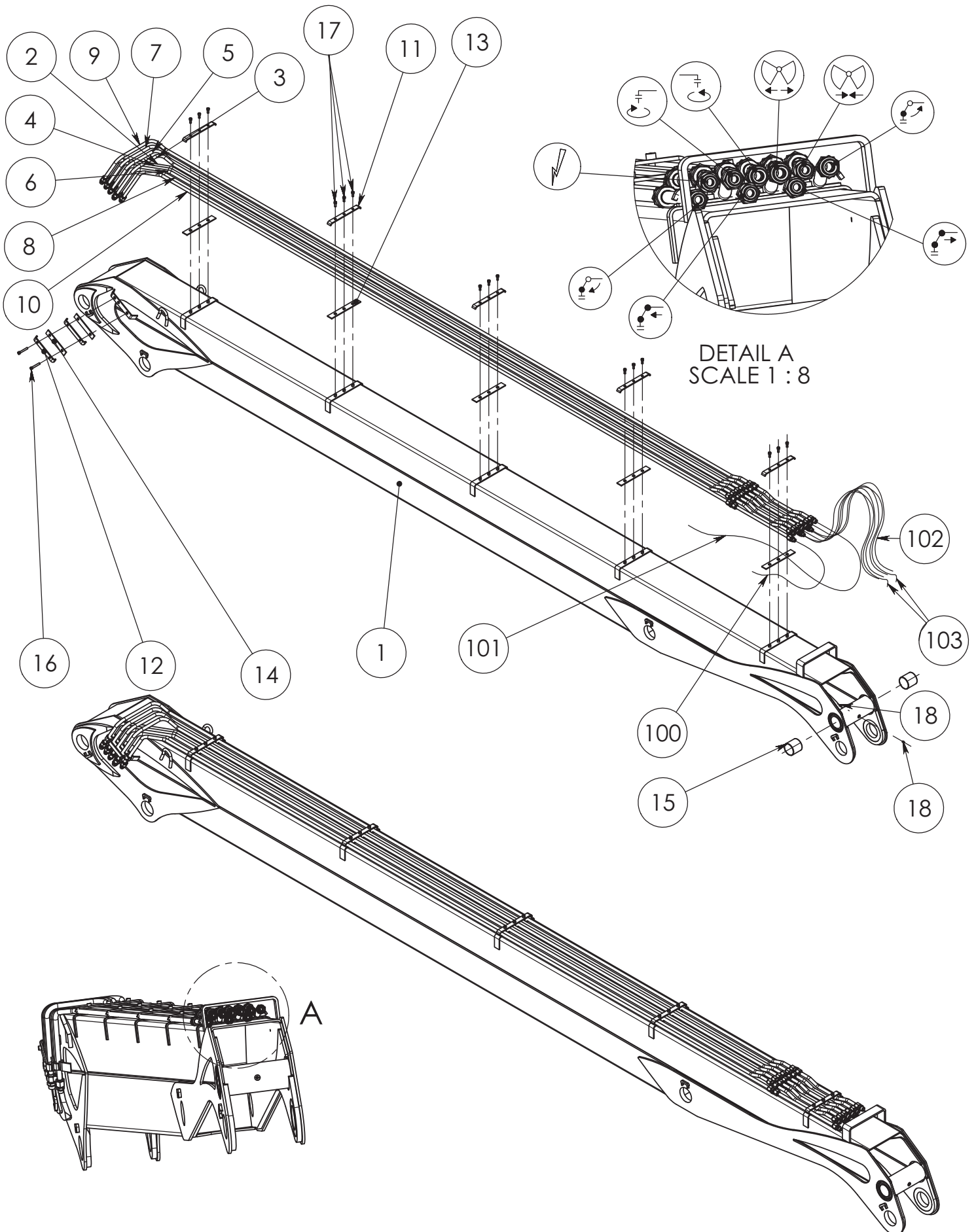


Item code	90022451	Revision	-
Title	LIFT BOOM	Date	19.03.2008
Specification	L=6900 OPEN-TYPE		

Pos	Item code	Title	Specification	Pc	Nto Weight
1	90022359	LIFT BOOM	L=6900	1	798.32
2	90022368	PIPE	1 RIGHT KOK	1	7.62
3	90022374	PIPE	1 LEFT KOK	1	8.41
4	90022376	PIPE	2 RIGHT KOK	1	8.34
5	90022407	PIPE	2 LEFT KOK	1	8.34
6	90022415	PIPE	3 RIGHT KOK	1	7.49
7	90022421	PIPE	3 LEFT KOK	1	8.29
8	90022432	PIPE	4 RIGHT KOK	1	7.45
9	90022434	PIPE	4 LEFT KOK	1	8.31
10	90022824	PIPE	5 RIGHT	1	8.24
11	90020625	FASTENER	6X30-284	5	0.39
12	90022330	FASTENER	6X30-250	2	0.3
13	90020626	RUBBER	5X40-265	5	0.07
14	90021961	RUBBER	5X40-190	2	
15	3100187	BUSHING	WB 802 8080	2	0.41
16	3010137	ALLEN SCREW	M10X50 8.8 ZN DIN 912	4	0
17	3010685	ALLEN SCREW	M10X25 8.8 ZN DIN 912	15	0
18	3050003	GREASE NIPPLE	M8X1,25 DIN 71412	2	0
100	3131720	HYDRAULIC HOSE	5601-12/HI-33-12/5660-12/L=1250	1	
101	3132308	HYDRAULIC HOSE	5601-12/HI-33-12/5601-12/L=2050	1	
102	3130357	HYDRAULIC HOSE	5201-08/HI-98C-08/5201-08/L=1300	4	
103	3130846	HYDRAULIC HOSE	5751-08/HI-98C-08/5701-08/L=1250	2	

90022647

# NOSTOPUOMI

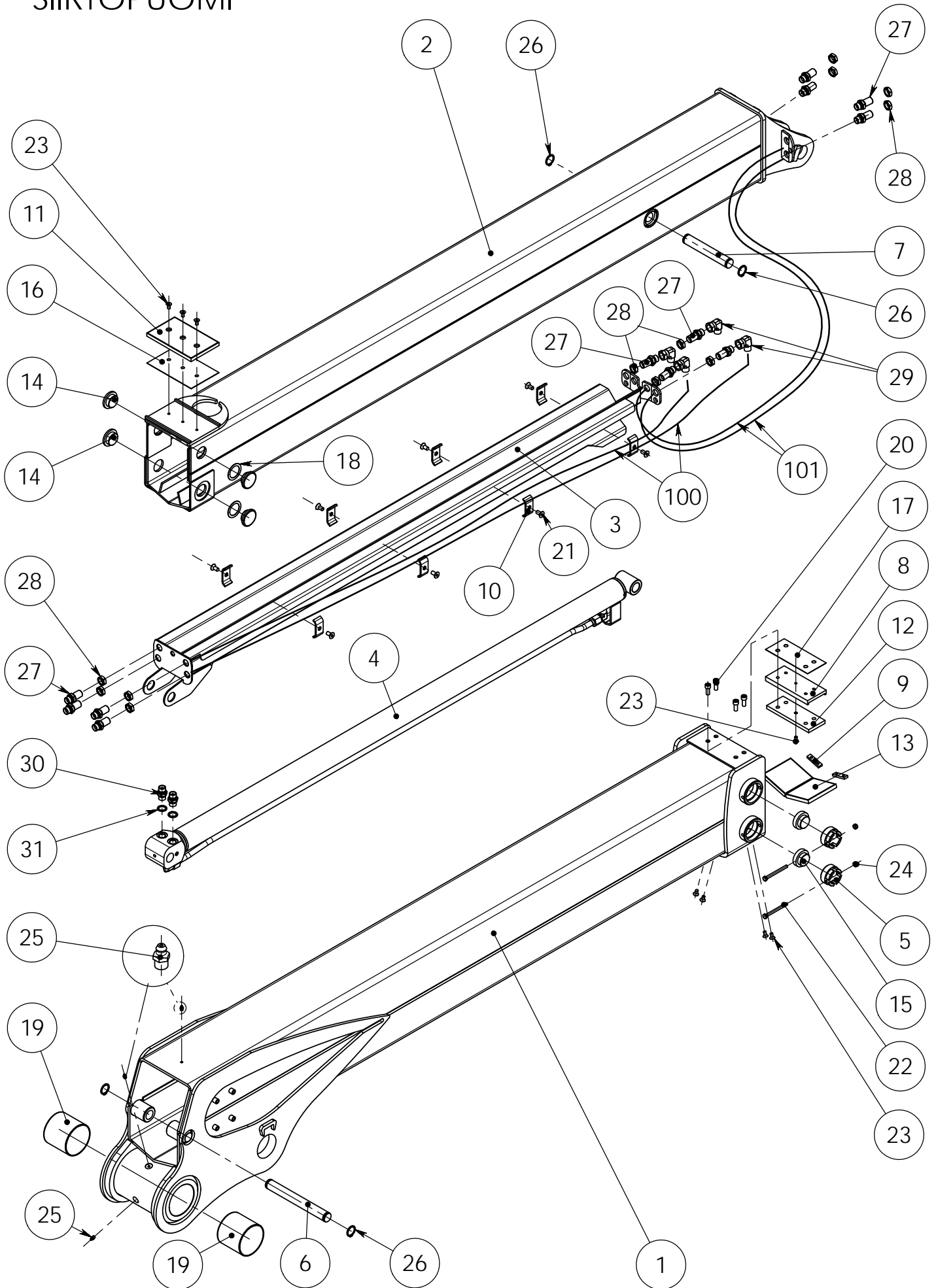


Item code	90022647	Revision	-
Title	LIFT BOOM	Date	01.07.2008
Specification	L=6900 CAB		

Pos	Item code	Title	Specification	Pc	Nto Weight
1	90022359	LIFT BOOM	L=6900	1	798.32
2	90022368	PIPE	1 RIGHT KOK	1	7.62
3	90022646	PIPE	1 LEFT	1	8.52
4	90022376	PIPE	2 RIGHT KOK	1	8.34
5	90022649	PIPE	2 LEFT	1	8.53
6	90022415	PIPE	3 RIGHT KOK	1	7.49
7	90022652	PIPE	3 LEFT	1	8.56
8	90022432	PIPE	4 RIGHT KOK	1	7.45
9	90022657	PIPE	4 LEFT	1	7.89
10	90022824	PIPE	5 RIGHT	1	8.24
11	90020625	FASTENER	6X30-284	5	0.39
12	90022330	FASTENER	6X30-250	2	0.3
13	90020626	RUBBER	5X40-265	5	0.07
14	90021961	RUBBER	5X40-190	2	
15	3100187	BUSHING	WB 802 8080	2	0.41
16	3010274	ALLEN SCREW	M10X70 8.8 ZN DIN 912	2	0
17	3010685	ALLEN SCREW	M10X25 8.8 ZN DIN 912	15	0
18	3050003	GREASE NIPPLE	M8X1,25 DIN 71412	2	0
100	3131720	HYDRAULIC HOSE	5601-12/HI-33-12/5660-12/L=1250	1	
101	3132308	HYDRAULIC HOSE	5601-12/HI-33-12/5601-12/L=2050	1	
102	3130357	HYDRAULIC HOSE	5201-08/HI-98C-08/5201-08/L=1300	4	
103	3130846	HYDRAULIC HOSE	5751-08/HI-98C-08/5701-08/L=1250	2	

90020589

# SIIRTOPUOMI

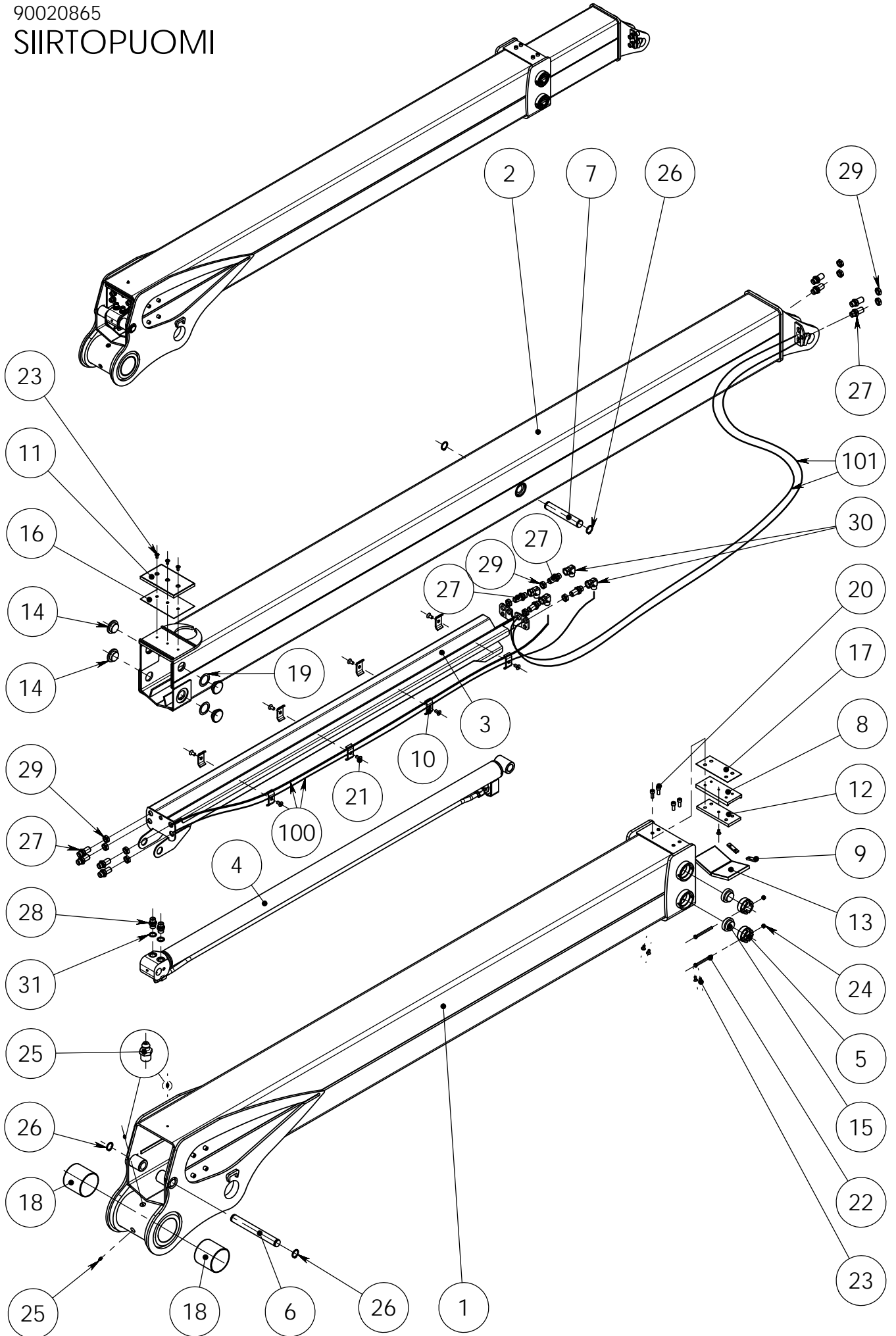


Item code	90020589	Revision	-
Title	OUTER BOOM	Date	12.05.2005
Specification	L=4400		

Pos	Item code	Title	Specification	Pc	Nto Weight
1	90020522	OUTER BOOM	L=2500	1	231.6
2	90020546	EXTENSION	L=2665	1	127.75
3	90020575	GUIDANCE		1	18.7
4	28764001	CYLINDER	63/36X1700	1	40.22
5	90016090	FASTENER		4	0.35
6	90020554	AXLE	30X254	1	1.4
7	90020555	AXLE	30X188	1	1.04
8	90020556	FASTENER	L-180	1	1.18
9	90010345	HOLDER		2	0.03
10	90010442	FASTENER	LT4X30-72	8	0.07
11	90020561	GLIDE PAD	120X190	1	0.31
12	90020563	GLIDE PAD	70X180	1	0.17
13	90020562	GLIDE PAD	120X100	2	0.17
14	90020689	GLIDE PAD	40X55-7X5	4	0.03
15	90021097	GLIDE PAD	40X55-14X12	4	0.06
16	90020566	PLATE	119X190	1	0.18
17	90020567	PLATE	80X180	1	0.11
18	21039422	SHIM	1XD=55	2	0.01
19	3100176	BUSHING	WB 802 10095	2	0.6
20	3010685	ALLEN SCREW	M10X25 8.8 ZN DIN 912	4	0
21	3010247	ALLEN SCREW	M10X20 10.9 DIN 7991	8	0
22	3010328	HEW SCREW	M8X90 8.8 ZN DIN 931	4	0
23	3010190	ALLEN SCREW	M8X16 10.9 DIN 7991	8	0
24	3020001	NUT	M8 ZN DIN 985	4	0.01
25	3050003	GREASE NIPPLE	M8X1.25 DIN 71412	3	0
26	3060092	SNAP RING	AS 30X2 ZN DIN 471	4	0
27	3090297	CONNECTOR (STRAIGHT)	04000-08 EP	12	0.12
28	3090300	NUT		12	0.02
29	3090670	CONNECTOR (ANGLE)	04510-08	4	0.21
30	3090019	CONNECTOR (STRAIGHT)	04000-08 R1/2"	2	0.1
31	3110042	SEAL	R-08 R 1/2"	2	0.01
100	3133011	HYDRAULIC HOSE	5001120-08-08/ 241T-08/ A50003-08-08/ L=2020	4	
101	3132307	HYDRAULIC HOSE	A50001-08-08/ 241X-08/ A50001-08-08/ L=2840	4	0

90020865

# SIIRTOPUOMI



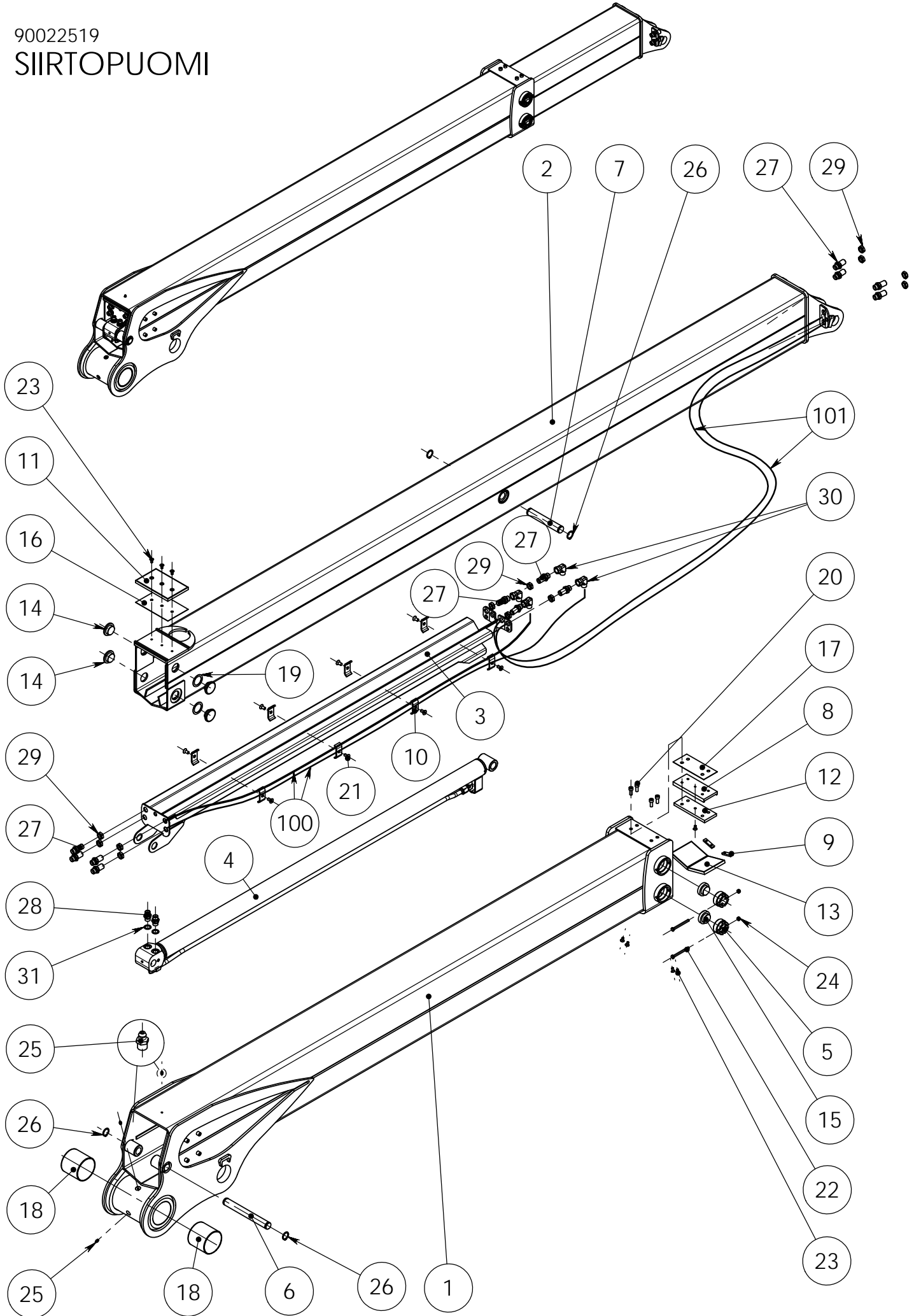
Item code	90020865	Revision	-
Title	OUTER BOOM	Date	29.09.2005
Specification	L=5400		

Pos	Item code	Title	Specification	Pc	Nto Weight
1	90020864	OUTER BOOM	L=3000	1	261.91
2	90020858	EXTENSION	L=3665	1	170.57
3	90020575	GUIDANCE		1	18.7
4	28764001	CYLINDER	63/36X1700	1	40.22
5	90016090	FASTENER		4	0.35
6	90020554	AXLE	30X254	1	1.4
7	90020555	AXLE	30X188	1	1.04
8	90020556	FASTENER	L-180	1	1.18
9	90010345	HOLDER		2	0.03
10	90010442	FASTENER	LT4X30-72	8	0.07
11	90020561	GLIDE PAD	120X190	1	0.31
12	90020563	GLIDE PAD	70X180	1	0.17
13	90020562	GLIDE PAD	120X100	2	0.17
14	90011001	GLIDE PAD	D=55-19/7	4	0.03
15	90021097	GLIDE PAD	40X55-14X12	4	0.06
16	90020566	PLATE	119X190	1	0.18
17	90020567	PLATE	80X180	1	0.11
18	3100176	BUSHING	WB 802 10095	2	0.6
19	21039422	SHIM	1XD=55	2	0.01
20	3010685	ALLEN SCREW	M10X25 8.8 ZN DIN 912	4	0
21	3010247	ALLEN SCREW	M10X20 10.9 DIN 7991	8	0
22	3010328	HEW SCREW	M8X90 8.8 ZN DIN 931	4	0
23	3010190	ALLEN SCREW	M8X16 10.9 DIN 7991	8	0
24	3020001	NUT	M8 ZN DIN 985	4	0.01
25	3050003	GREASE NIPPLE	M8X1.25 DIN 71412	3	0
26	3060092	SNAP RING	AS 30X2 ZN DIN 471	4	0
27	3090297	CONNECTOR (STRAIGHT)	04000-08 EP	12	0.12
28	3090019	CONNECTOR (STRAIGHT)	04000-08 R1/2"	2	0.1
29	3090300	NUT		12	0.02
30	3090670	CONNECTOR (ANGLE)	04510-08	4	0.21
31	3110042	SEAL	R-08 R 1/2"	2	0.01
100	3133011	HYDRAULIC HOSE	5001120-08-08/ 241T-08/ A50003-08-08/ L=2020	4	
101	3132454	HYDRAULIC HOSE	A50001-08-08/ 241X-08/ A50001-08-08/ L=3840	4	0



90022519

# SIIRTOPUOMI

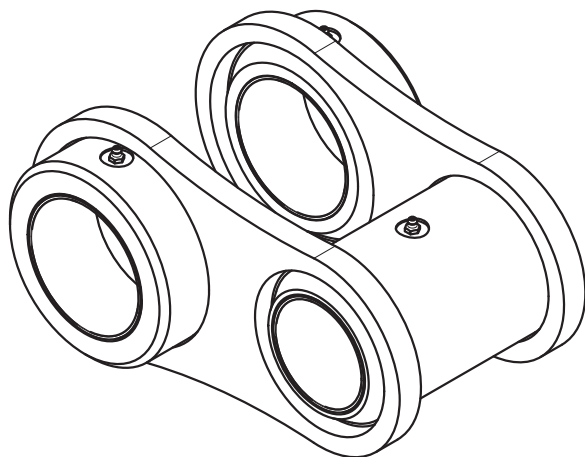
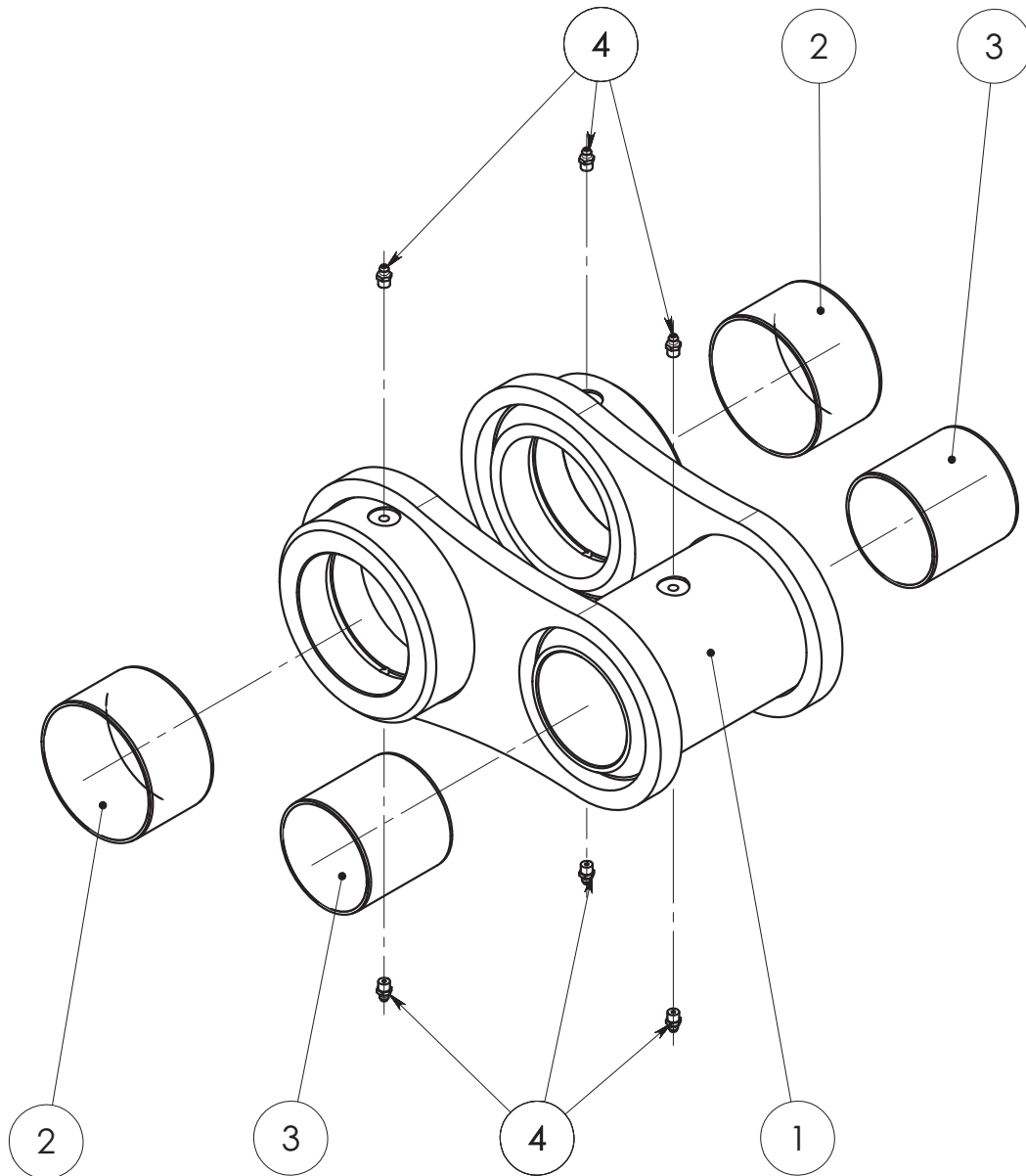


Item code	90022519	Revision	-
Title	OUTER BOOM	Date	29.04.2008
Specification	L=5700		

Pos	Item code	Title	Specification	Pc	Nto Weight
1	90020864	OUTER BOOM	L=3000	1	261.91
2	90022513	EXTENSION	L=3965	1	183.38
3	90020575	GUIDANCE		1	18.7
4	28764001	CYLINDER	63/36X1700	1	40.22
5	90016090	FASTENER		4	0.35
6	90020554	AXLE	30X254	1	1.4
7	90020555	AXLE	30X188	1	1.04
8	90020556	FASTENER	L-180	1	1.18
9	90010345	HOLDER		2	0.03
10	90010442	FASTENER	LT4X30-72	8	0.07
11	90020561	GLIDE PAD	120X190	1	0.31
12	90020563	GLIDE PAD	70X180	1	0.17
13	90020562	GLIDE PAD	120X100	2	0.17
14	90011001	GLIDE PAD	D=55-19/7	4	0.03
15	90021097	GLIDE PAD	40X55-14X12	4	0.06
16	90020566	PLATE	119X190	1	0.18
17	90020567	PLATE	80X180	1	0.11
18	3100176	BUSHING	WB 802 10095	2	0.6
19	21039422	SHIM	1XD=55	2	0.01
20	3010685	ALLEN SCREW	M10X25 8.8 ZN DIN 912	4	0
21	3010247	ALLEN SCREW	M10X20 10.9 DIN 7991	8	0
22	3010328	HEW SCREW	M8X90 8.8 ZN DIN 931	4	0
23	3010190	ALLEN SCREW	M8X16 10.9 DIN 7991	8	0
24	3020001	NUT	M8 ZN DIN 985	4	0.01
25	3050003	GREASE NIPPLE	M8X1.25 DIN 71412	3	0
26	3060092	SNAP RING	AS 30X2 ZN DIN 471	4	0
27	3090297	CONNECTOR (STRAIGHT)	04000-08 EP	12	0.12
28	3090019	CONNECTOR (STRAIGHT)	04000-08 R1/2"	2	0.1
29	3090300	NUT		12	0.02
30	3090670	CONNECTOR (ANGLE)	04510-08	4	0.21
31	3110042	SEAL	R-08 R 1/2"	2	0.01
100	3133011	HYDRAULIC HOSE	5001120-08-08/ 241T-08/ A50003-08-08/ L=2020	4	
101	3131807	HYDRAULIC HOSE	A50001-08-08/ 241X-08/ A50001-08-08/ L=4100	4	

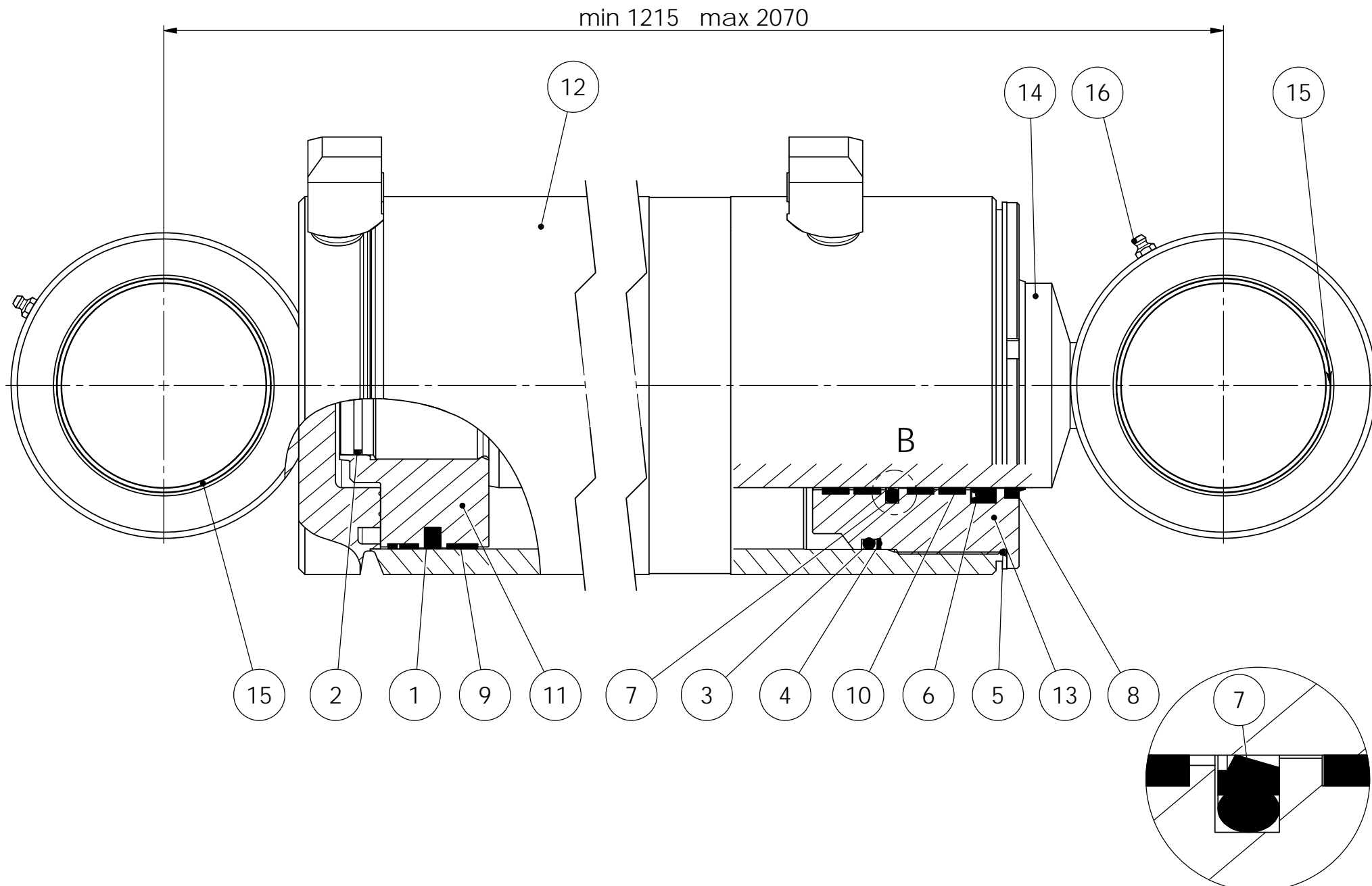
90020495

TANKO



Item code	90020495	Revision	-
Title	DRAW BAR	Date	16.02.2005
Specification	VAR		

Pos	Item code	Title	Specification	Pc	Nto Weight
1	90020437	DRAW BAR	KONEISTUS	1	19.71
2	3100344	BEARING	WB 802 10060	2	0.38
3	3100187	BEARING	WB 802 8080	2	0.41
4	3050020	GREASE NIPPLE	R 1/8" ZN	6	0.01



28762001

NOSTO-  
SYLINTERI

DETAIL B  
SCALE 2 : 1

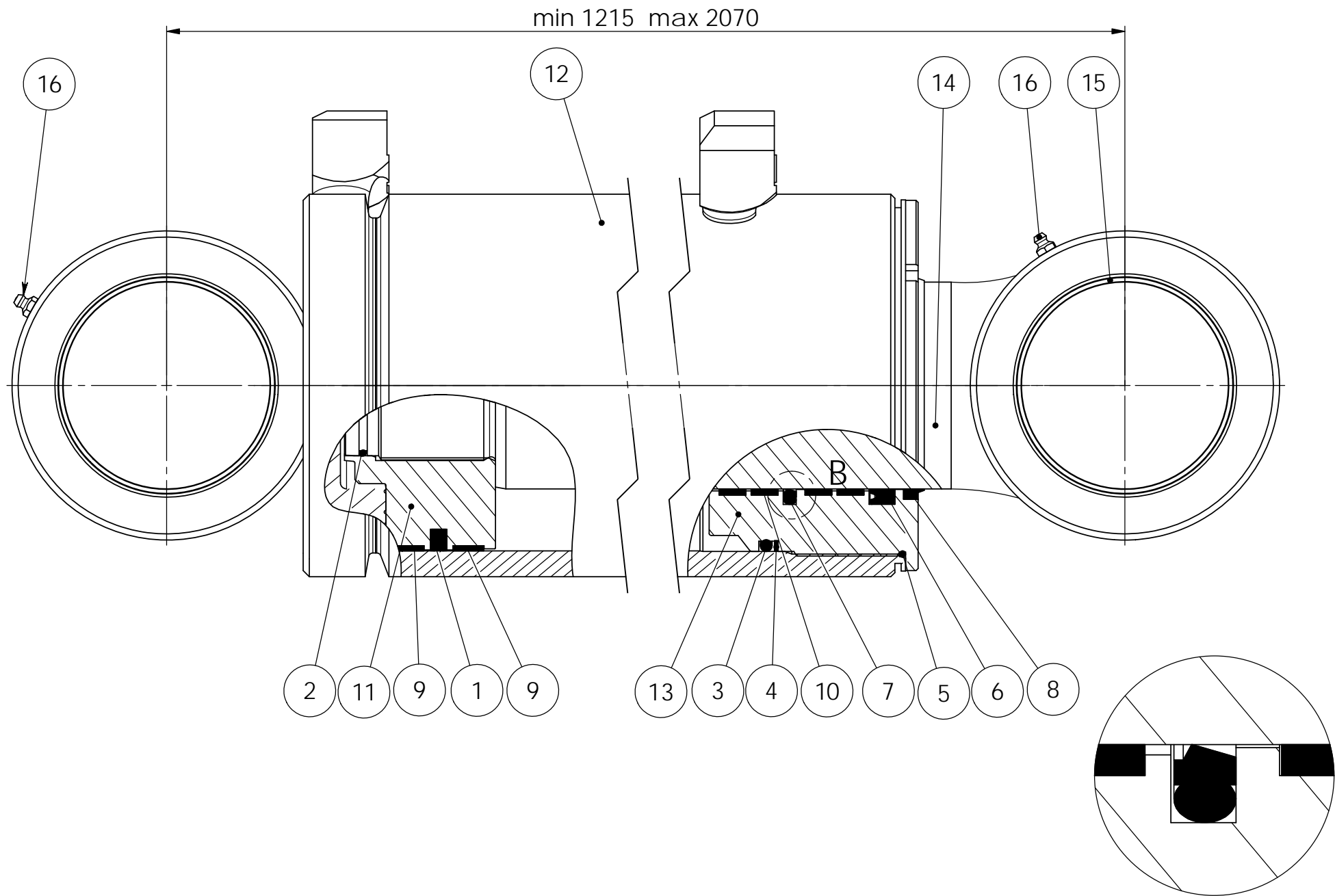
VARAOSAT \ RESERVDELAR \ SPARE PARTS \ ERSATZTEIL



## SPARE PART LIST

Item code	28762001	Revision	-
Title	SYLINTERI	Date	15.02.2005
Specification	160/100X855		

Pos	Item code	Title	Specification	Dimensions	Pc	Amount	Unit	Nto Weight
1	3110790	MÄNNÄNTIIVISTE KOLV TÄTNING PISTON SEAL KOLBENDICHTUNG	OK 160/139X8		1			0.3
2	3110250	O-RENGAS O-RING O-RING O-RING	62.2X3 90 SHORE		1			0.01
3	3110791	O-RENGAS O-RING O-RING O-RING	149.2X5.7 70 SHORE		1			0.1
4	3110792	TUKIRENGAS STÖDRING SUPPORTING RING STÜTZRING	TR 160/150X1.7 PU		1			0
5	3110454	O-RENGAS O-RING O-RING O-RING	160X3.0 90 SHORE		1			0.03
6	3110726	VARRENTIIVISTE KOLVSTÄNGSTÄTNING ROD SEAL DICHTUNG FÜR KOLBENSTANGE	NI 300 100/115X12		1			0.2
7	3110885	VARRENTIIVISTE KOLVSTÄNGSTÄTNING ROD SEAL DICHTUNG FÜR KOLBENSTANGE	OMS-MR 100/115.1X6		1			0.1
8	3110414	LUOVUTIN AVSTRYKARE WIPER SEAL ABSTREIFER	GA 100/110X7/10		1			0.1
9	3110865	MÄNNÄNOHJAIN KOLV STYRNING PISTON GUIDE KOLBENFÜHRUNG	160/155X14.8		2			0.14
10	3110866	OHJAIN STYRNING GUIDANCE STEUERUNG	100/106X12.8		4			0.1
11	28762201	MÄNTÄ KOLV PISTON KOLBEN	160	L=77	1			6.49
12	28762101	SYLINTERIPUTKI CYLINDERRÖR CYLINDER BARREL ZYLINDERROHR	160/100-855		1			73.82
13	28762202	OHJAIN STYRNING GUIDANCE STEUERUNG	160/100	L=105	1			8.89
14	28762204	MÄNNÄNVARSI KOLVSTÄNG PISTON ROD KOLBENSTANGE	100-1059		1			77.29
15	3100344	LIUKULAAKERI BUSSNING BUSHING GLEITLAGER	WB 802 10060		4			0.38
16	3050003	RASVANIPPA SMÖRJNIPPEL GREASE NIPPLE SCHMIERNIPPEL	M8X1,25 DIN 71412		4			0
20	3110867	TIIVISTESARJA TÄTNNGSSATS SEAL KIT DICHTUNGSSATZ	160/100		1			



28763001 SYLINTERI

VARAOSAT \ RESERVDLAR \ SPARE PARTS \ ERSATZTEIL

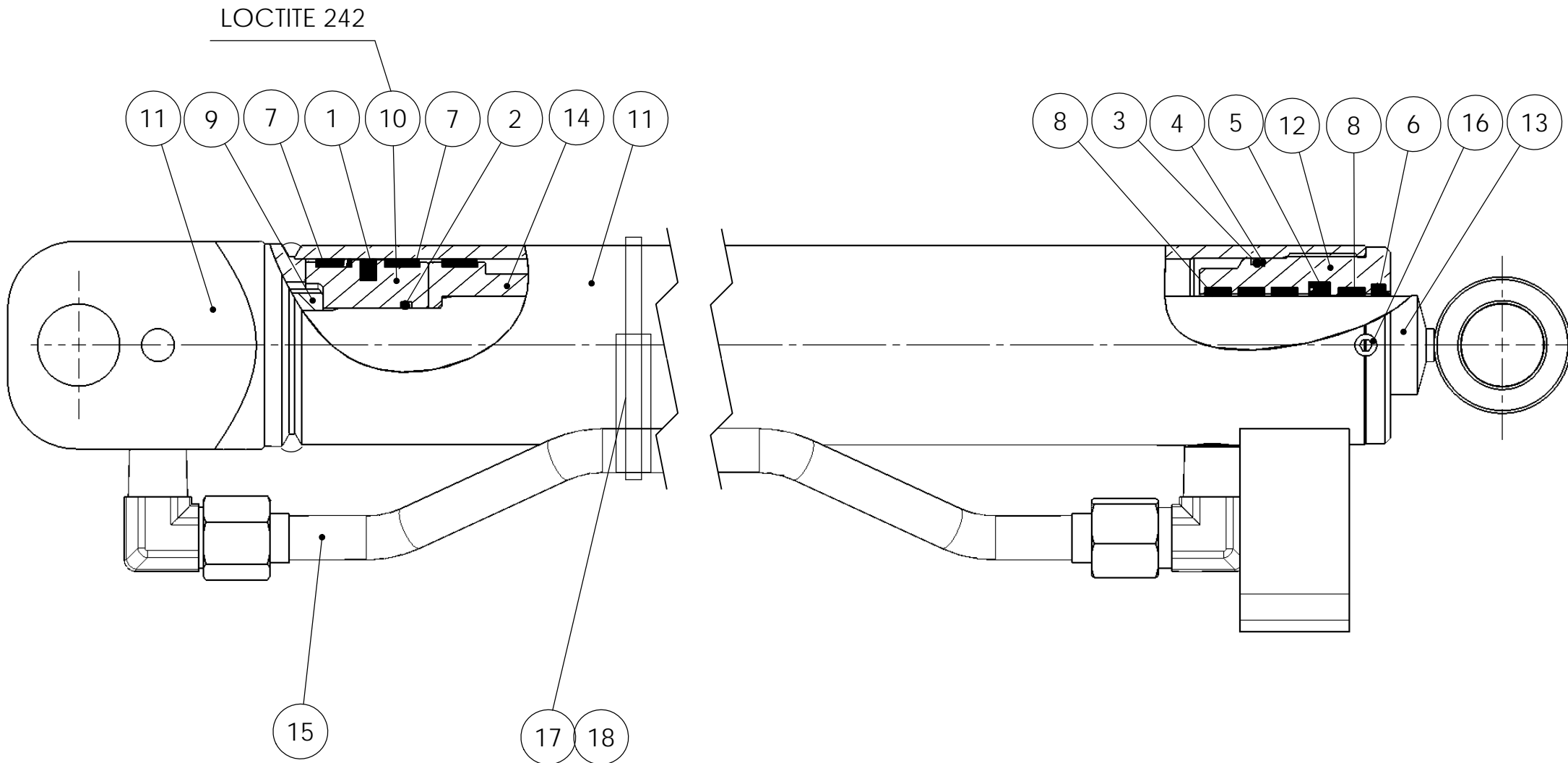


## SPARE PART LIST

Item code	28763001	Revision	-
Title	SYLINTERI	Date	21.02.2005
Specification	160/100X855		

Pos	Item code	Title	Specification	Dimensions	Pc	Amount	Unit	Nto Weight
1	3110790	MÄNNÄNTIIVISTE KOLV TÄTNING PISTON SEAL KOLBENDICHTUNG	OK 160/139X8		1			0.3
2	3110250	O-RENGAS O-RING O-RING O-RING	62.2X3 90 SHORE		1			0.01
3	3110791	O-RENGAS O-RING O-RING O-RING	149.2X5.7 70 SHORE		1			0.1
4	3110792	TUKIRENGAS STÖDRING SUPPORTING RING STÜTZRING	TR 160/150X1.7 PU		1			0
5	3110454	O-RENGAS O-RING O-RING O-RING	160X3.0 90 SHORE		1			0.03
6	3110726	VARRENTIIVISTE KOLVSTÄNGSTÄTNING ROD SEAL DICHTUNG FÜR KOLBENSTANGE	NI 300 100/115X12		1			0.2
7	3110885	VARRENTIIVISTE KOLVSTÄNGSTÄTNING ROD SEAL DICHTUNG FÜR KOLBENSTANGE	OMS-MR 100/115.1X6		1			0.1
8	3110414	LUOVUTIN AVSTRYKARE WIPER SEAL ABSTREIFER	GA 100/110X7/10		1			0.1
9	3110865	MÄNNÄNOHJAIN KOLV STYRNING PISTON GUIDE KOLBENFÜHRUNG	160/155X14.8		2			0.14
10	3110866	OHJAIN STYRNING GUIDANCE STEUERUNG	100/106X12.8		4			0.1
11	28762201	MÄNTÄ KOLV PISTON KOLBEN	160	L=77	1			6.49
12	28763101	SYLINTERIPUTKI CYLINDERRÖR CYLINDER BARREL ZYLINDERROHR	160/100 X 855		1			73.82
13	28762202	OHJAIN STYRNING GUIDANCE STEUERUNG	160/100	L=105	1			8.89
14	28763204	MÄNNÄNVARSI KOLVSTÄNG PISTON ROD KOLBENSTANGE			1			72.54
15	3100344	LIUKULAAKERI BUSSNING BUSHING GLEITLAGER	WB 802 10060		4			0.38
16	3050003	RASVANIPPA SMÖRJNIPPEL GREASE NIPPLE SCHMIERNIPPEL	M8X1,25 DIN 71412		4			0
1-9	3110867	TIIVISTESARJA TÄTNNGSSATS SEAL KIT DICHTUNGSSATZ	160/100		1			





28764001 SYLINTERI

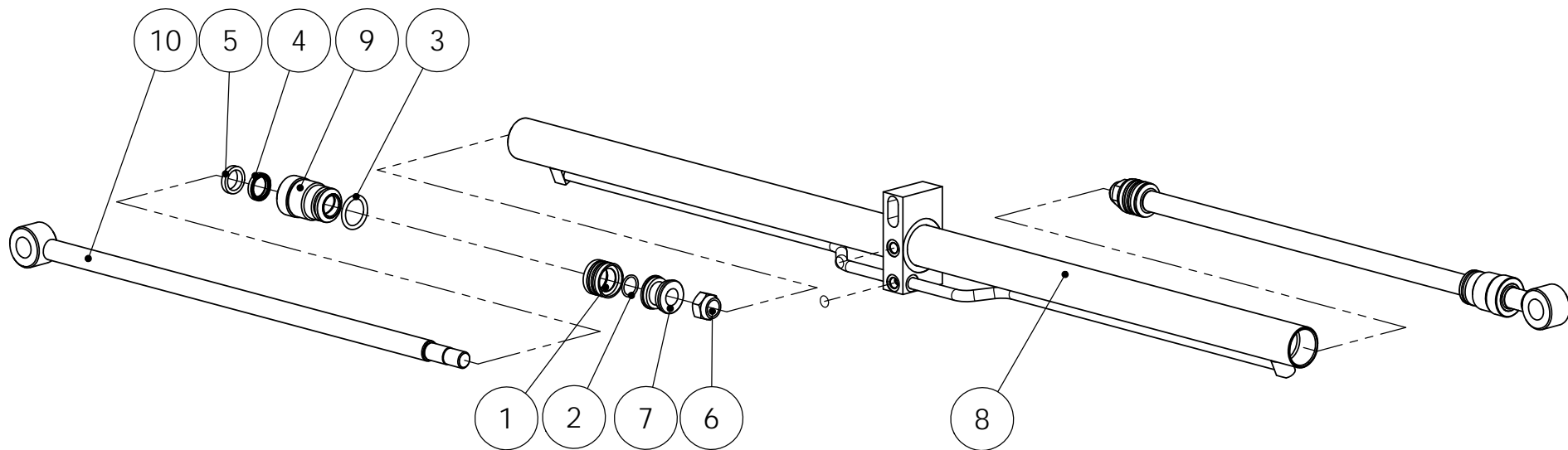
VARAOSAT \ RESERVDLAR \ SPARE PARTS \ ERSATZTEIL



## SPARE PART LIST

Item code	28764001	Revision	-
Title	SYLINTERI	Date	30.01.2006
Specification	63/36X1700		

Pos	Item code	Title	Specification	Dimensions	Pc	Amount	Unit	Nto Weight
1	3110729	MÄNNÄNTIIVISTE KOLV TÄTNING PISTON SEAL KOLBENDICHTUNG	300 63/47,5X6		1			0.06
2	3110003	O-RENGAS O-RING O-RING O-RING	26.2X3 70 SHORE		1			0.01
3	3110719	O-RENGAS O-RING O-RING O-RING	57X3 90 SHORE		1			0.01
4	3110918	TUKIRENGAS STÖDRING SUPPORTING RING STÜTZRING	63/58X1.3 PU		1			0
5	3110005	VARRENTIIVISTE KOLVSTÄNGSTÄTNING ROD SEAL DICHTUNG FÜR KOLBENSTANGE	NI 300 36/46X7		1			0.03
6	3110006	LUOVUTIN AVSTRYKARE WIPER SEAL ABSTREIFER	PW 36		1			0.02
7	3110230	MÄNNÄNOHJAIN KOLV STYRNING PISTON GUIDE KOLBENFÜHRUNG	E/PWR 63/57X13		3			0.06
8	3110871	OHJAIN STYRNING GUIDANCE STEUERUNG	I/PWR 36/42X9.6		4			0.03
9	3020008	MUTTERI MUTTER NUT MUTTER	1" UNF ZN DIN 985		1			0.12
10	28566201	MÄNTÄ KOLV PISTON KOLBEN	63 (SIMKO300)	L=71	1			0.65
11	28764101	SYLINTERIPUTKI CYLINDERRÖR CYLINDER BARREL ZYLINDERROHR			1			19.87
12	28764202	OHJAIN STYRNING GUIDANCE STEUERUNG	63/36	L=72	1			1.02
13	28764204	MÄNNÄNVARSI KOLVSTÄNG PISTON ROD KOLBENSTANGE	63 / 36-1700		1			15.78
14	28764105	HOLKKI HYLSA SLEEVE ACHSHALTER	ISKUNRAJ.	L=67	1			0.67
15	28764401	HYDRAULIPUTKI HYDRAULRÖR HYDRAULIC PIPE HYDRAULIKROHR	L=1803 KOK		1			1.7
16	3010175	KUUSIOKOLORUUVI INSEKSRUV ALLEN SCREW INNENSECHSKANTSCHRAUBE	M8X10 ZN DIN 914		1			0
17	3090928	KIINNITIN FÄSTE FASTENER BEFESTIGUNG			1			
18	3090929	KIRISTIN SPÄNNARE TENSIONER VERSCHLUSS			1			
1-8	3110872	TIIIVISTESARJA TÄTNNGSSATS SEAL KIT DICHTUNGSSATZ	63/36		1			



28772001 SYLINTERI

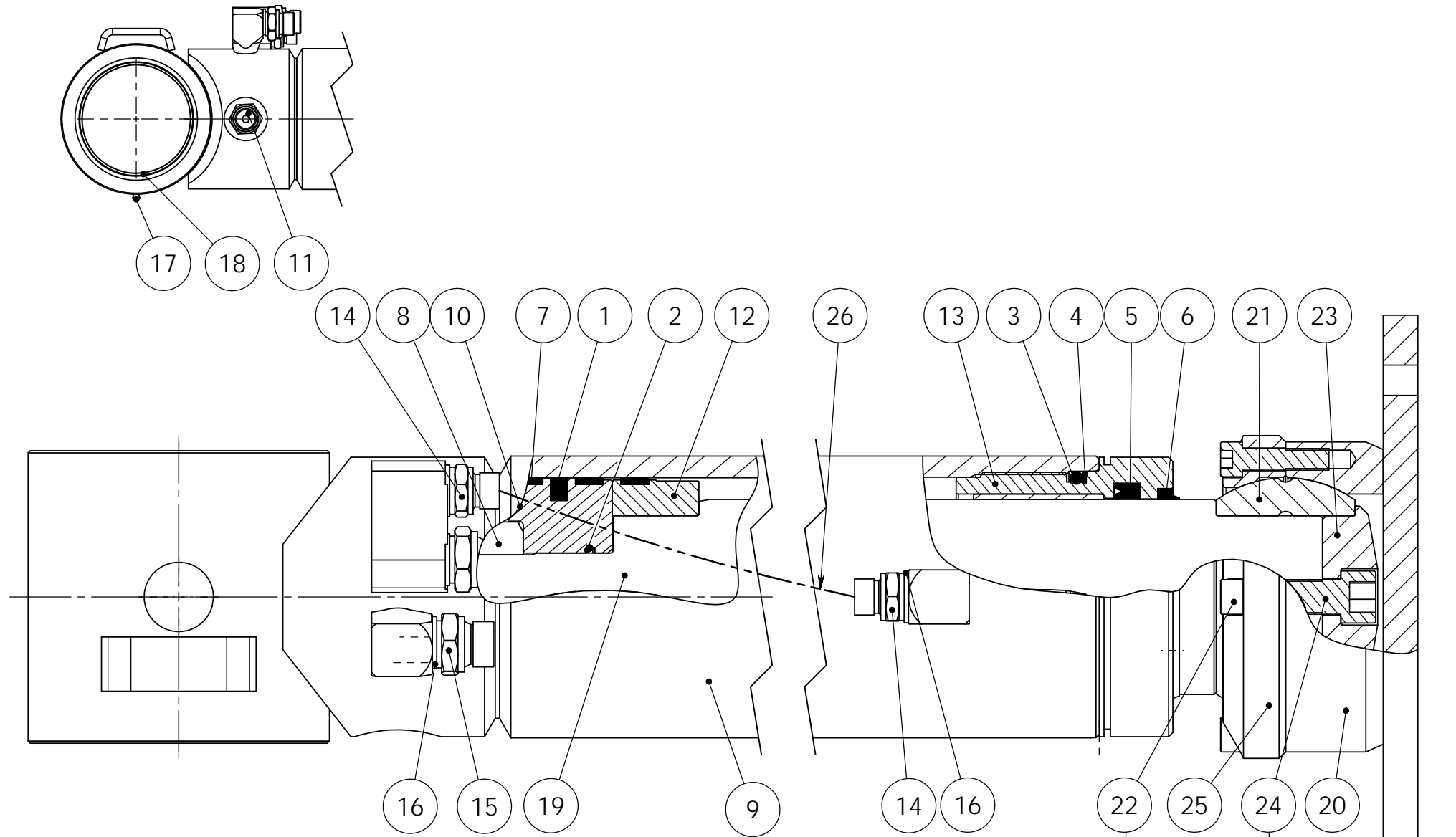
VARAOSAT \ RESERVDLAR \ SPARE PARTS \ ERSATZTEIL



## SPARE PART LIST

Item code	28772001	Revision	-
Title	CYLINDER	Date	06.06.2007
Specification	50/30X2X650		

Pos	Item code	Title	Specification	Pc	Nto Weight
1	3110013	PISTON SEAL	DAS 50/34X18	2	0.18
2	3110003	O-RING	26.2X3 70 SHORE	2	0.01
3	3110288	O-RING	39.2X5.7 90 SHORE	2	0.03
4	3110030	ROD SEAL	T22 30/40X7.3	2	0.02
5	3110313	WIPER SEAL	GA 30/40X7/10	2	0.03
6	3020026	NUT	M24 ZN DIN 985	2	0.11
7	28337201	PISTON	D=50 DBM	2	0.26
8	28772101	CYLINDER BARREL	50/30X2X650	1	4.91
9	28337202	GUIDANCE	50/30	2	0.82
10	28772204	PISTON ROD	50/30 X 2 X 650	2	5.2
1-5	3110324	SEAL KIT	50/30	1	



28773001  
 STABILIZER CYLINDER 110/90x600

LOCTITE 262

LOCTITE 262



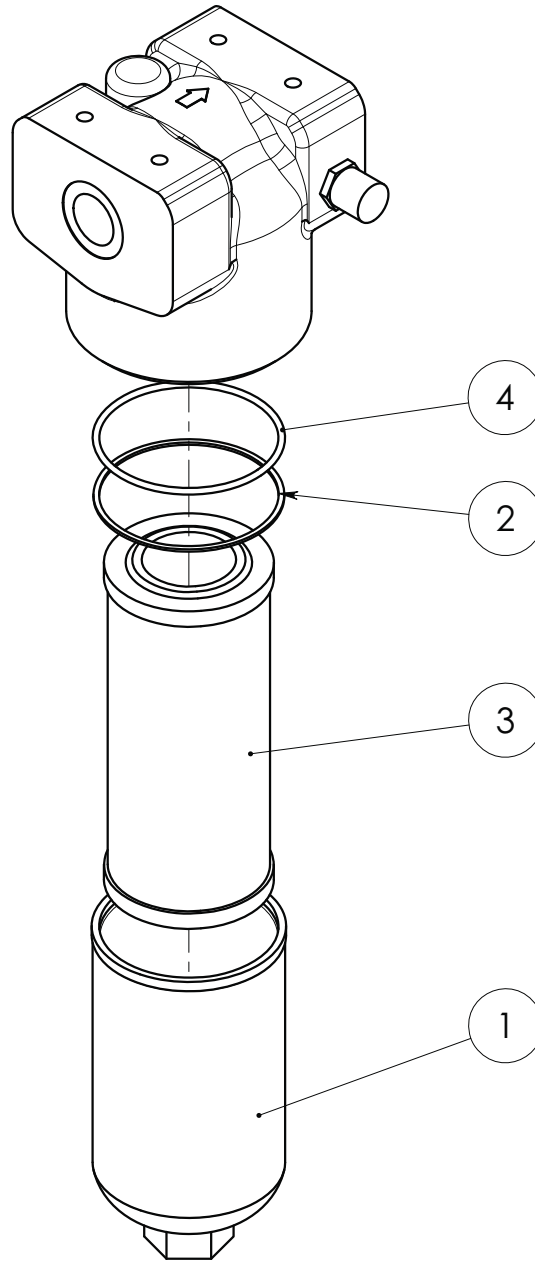
## SPARE PART LIST

Item code	28773001	Revision	A
Title	SYLINTERI	Date	02.09.2005
Specification	110/90X600		

Pos	Item code	Title	Specification	Dimensions	Pc	Amount	Unit	Nto Weight
1	3110757	MÄNNÄNTIIVISTE KOLV TÄTNING PISTON SEAL KOLBENDICHTUNG	OK 110/89X8		1			0.2
2	3110258	O-RENGAS O-RING O-RING O-RING	42.2X3 90 SHORE		1			0.01
3	3110626	O-RENGAS O-RING O-RING O-RING	104.2X5.7 90 SHORE		1			0.07
4	3110627	TUKIRENGAS STÖDRING SUPPORTING RING STÜTZRING	TR 115/105X1.7 PU		1			0
5	3110793	VARRENTIIVISTE KOLVSTÄNGSTÄTNING ROD SEAL DICHTUNG FÜR KOLBENSTANGE	90/105X12		1			0.18
6	3110420	LUOVUTIN AVSTRYKARE WIPER SEAL ABSTREIFER	GA 90/100X7/10		1			0.09
7	3110566	MÄNNÄNOHJAIN KOLV STYRNING PISTON GUIDE KOLBENFÜHRUNG	E/PWR 110/104X13		3			0.1
8	3020049	MUTTERI MUTTER NUT MUTTER	M39X3 ZN DIN 985		1			0.52
9	28773101	SYLINDERIPUTKI CYLINDERRÖR CYLINDER BARREL ZYLINDERROHR	110/90 X 600		1			39.04
10	28590201	MÄNTÄ KOLV PISTON KOLBEN	110	L=71	1			2.5
11	3120843	VENTTIILI VENTIL VALVE VENTIL			1			0.13
12	28773105	HOLKKI HYLSA SLEEVE ACHSHALTER	ISKUNRAJ.	L=26	1			1.39
13	28773202	OHJAIN STYRNING GUIDANCE STEUERUNG	110/90+LAAKERI		1			3.29
14	3090040	LIITIN (SUORA) KOPPLINGSSTYCKE (RAK) CONNECTOR (STRAIGHT) KUPPLUNG (GERADE)	04000-06		2			0.06
15	3090001	LIITIN (SUORA) KOPPLINGSSTYCKE (RAK) CONNECTOR (STRAIGHT) KUPPLUNG (GERADE)	04000-06-08		2			0.08
16	3110040	USIT USIT-TÄTNING USIT-SEAL USIT-DICHTUNG	R-06 R 3/8"		4			0
17	3050003	RASVANIPPA SMÖRJNIPPEL GREASE NIPPLE SCHMIERNIPPEL	M8X1,25 DIN 71412		3			0
18	3100288	LIUKULAAKERI BUSSNING BUSHING GLEITLAGER	WB 802 10040 (105/100X40)		2			0.25
19	28867302	MÄNNÄNVARSI KOLVSTÄNG PISTON ROD KOLBENSTANGE	90		1			39.63
20	28773106	ANTURA BOTTEN BASE UNTERLAGE	TUKIJALKA		1			6.93
21	3100429	LAAKERI LAGER BEARING LAGER	NIVELLAAKERIN PALLO GEF 75 ES		1			0.25
22	3010971	KUUSIOKOLORUUVI INSESKRUV ALLEN SCREW INNENSECHSKANTSCHRAUBE	M10X40 12.9 DIN 912		4			0
23	28867401	KANSI DÄCK COVER DECKEL	LAAKERIN KANSI	L=29	1			0.76
24	3010623	KUUSIOKOLORUUVI INSESKRUV ALLEN SCREW INNENSECHSKANTSCHRAUBE	M16X60 12.9 DIN 912		1			0
25	28773107	KANSI DÄCK COVER DECKEL	143/101X29	L=32	1			1.57
26	3130832	HYDRAULILETKU HYDRAULIKSLANG HYDRAULIC HOSE HYDRAULIKSCHLAUCH	A50001-06-06/241T-06/A50001-06-06/L=670/TEX		1			
1-7	3110879	TIIVISTESARJA TÄTNNSSATS SEAL KIT DICHTUNGSSATZ	110/90		1			

3091211

# SUODATIN



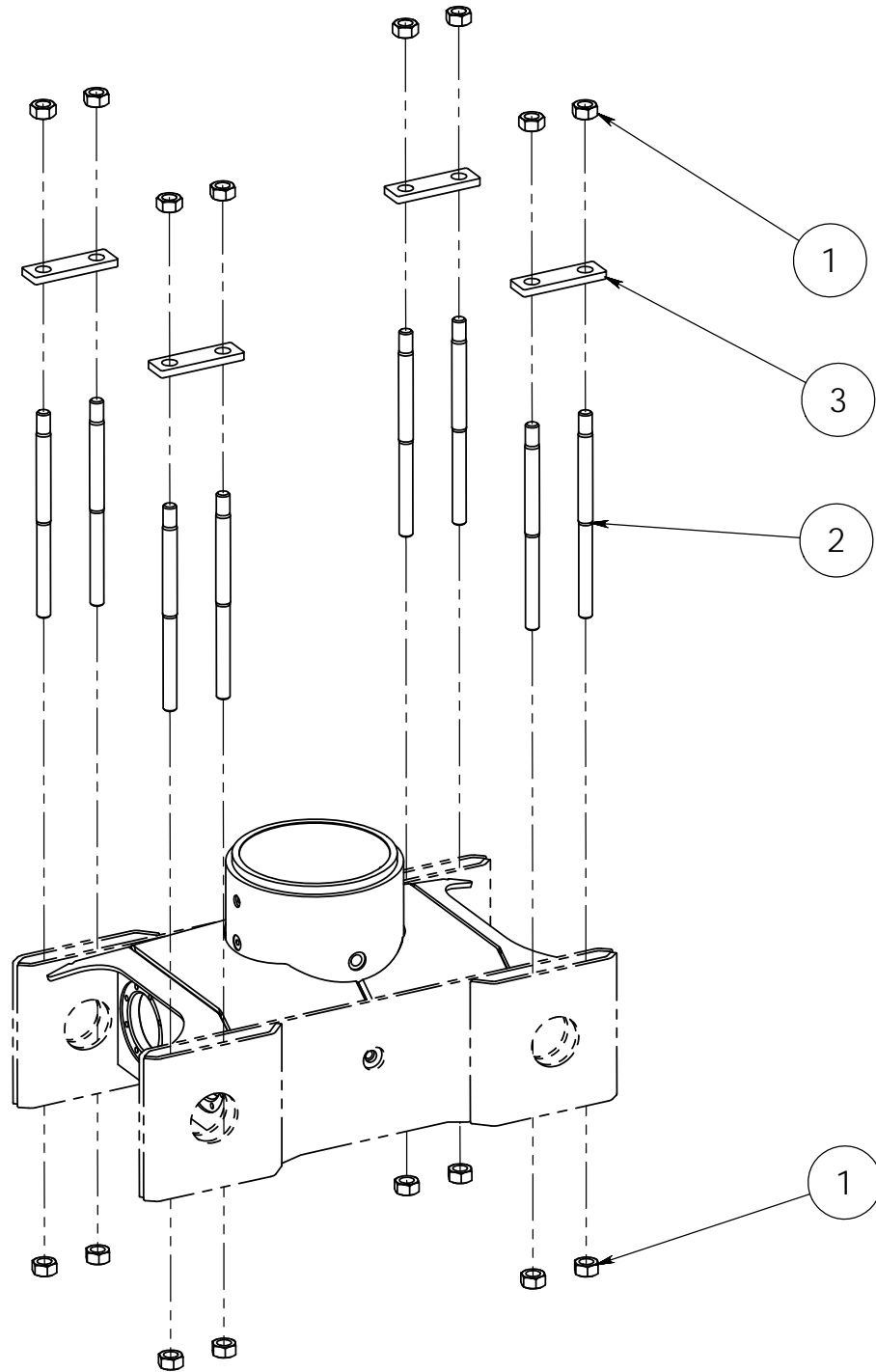
Item code	3091211	Revision	-
Title	FILTER	Date	29.05.2008
Specification	70T220QBPKG161S01		

Pos	Item code	Title	Specification	Pc	Nto Weight
1	3090979	PRESSURE FILTER		1	
2	3110707	SUPPORTING RING	95.1X101.1X1.5 PO-01	1	0
3	3090885	CARTRIDGE		1	
4	3110706	O-RING	94.84X3.53 90 SHORE	1	0.02



90022784

# KIINNITYSSARJA

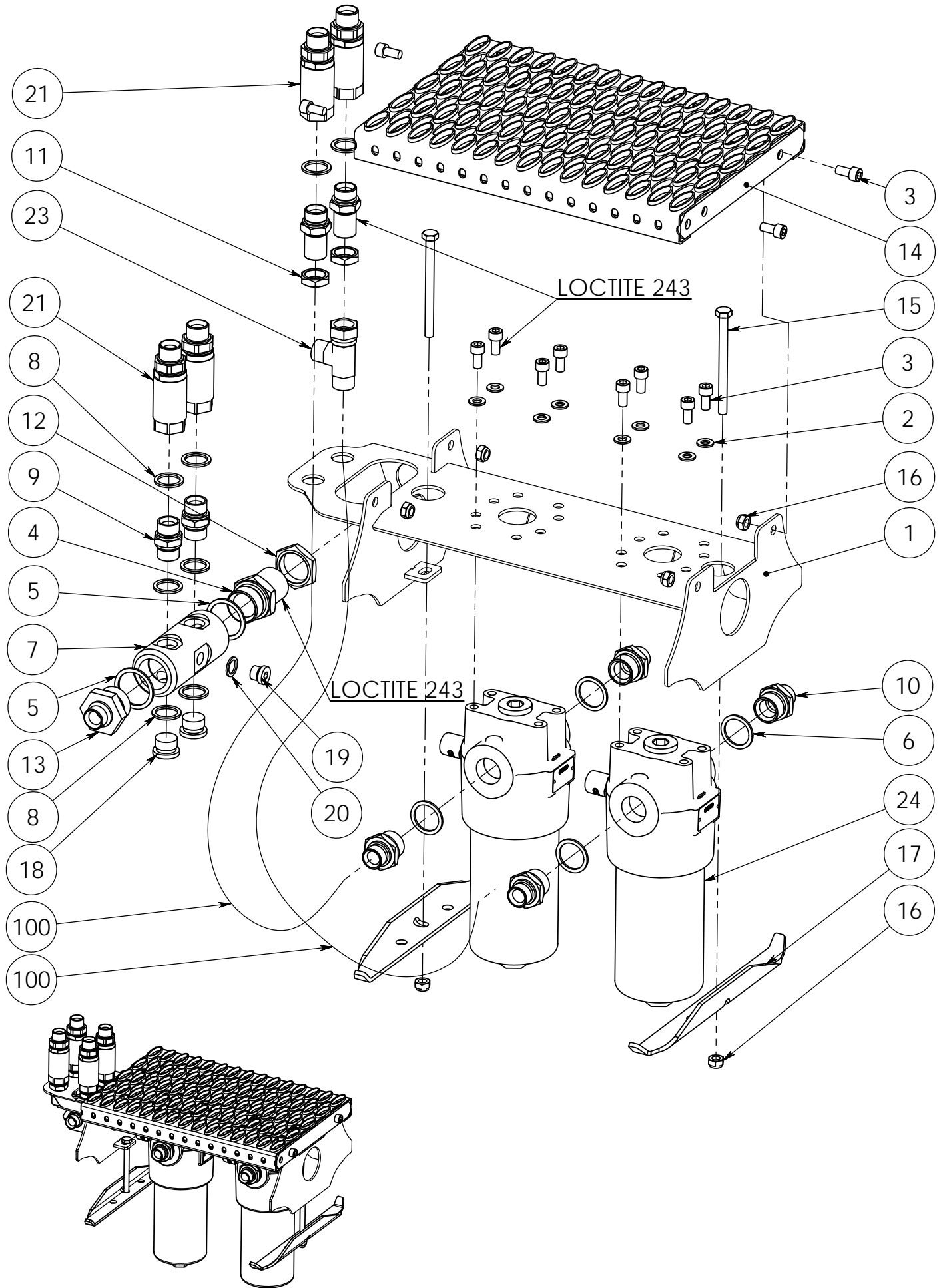


Item code	90022784	Revision	-
Title	FASTENING KIT	Date	26.09.2008
Specification	M30X2-460		

Pos	Item code	Title	Specification	Pc	Nto Weight
1	3020170	NUT	M30X2 ZN DIN 934	16	0
2	90019789	SCREW	M30X2-460	8	2.36
3	90022724	WASHER	PL16X60X195	4	1.26

90022440

SUODATIN

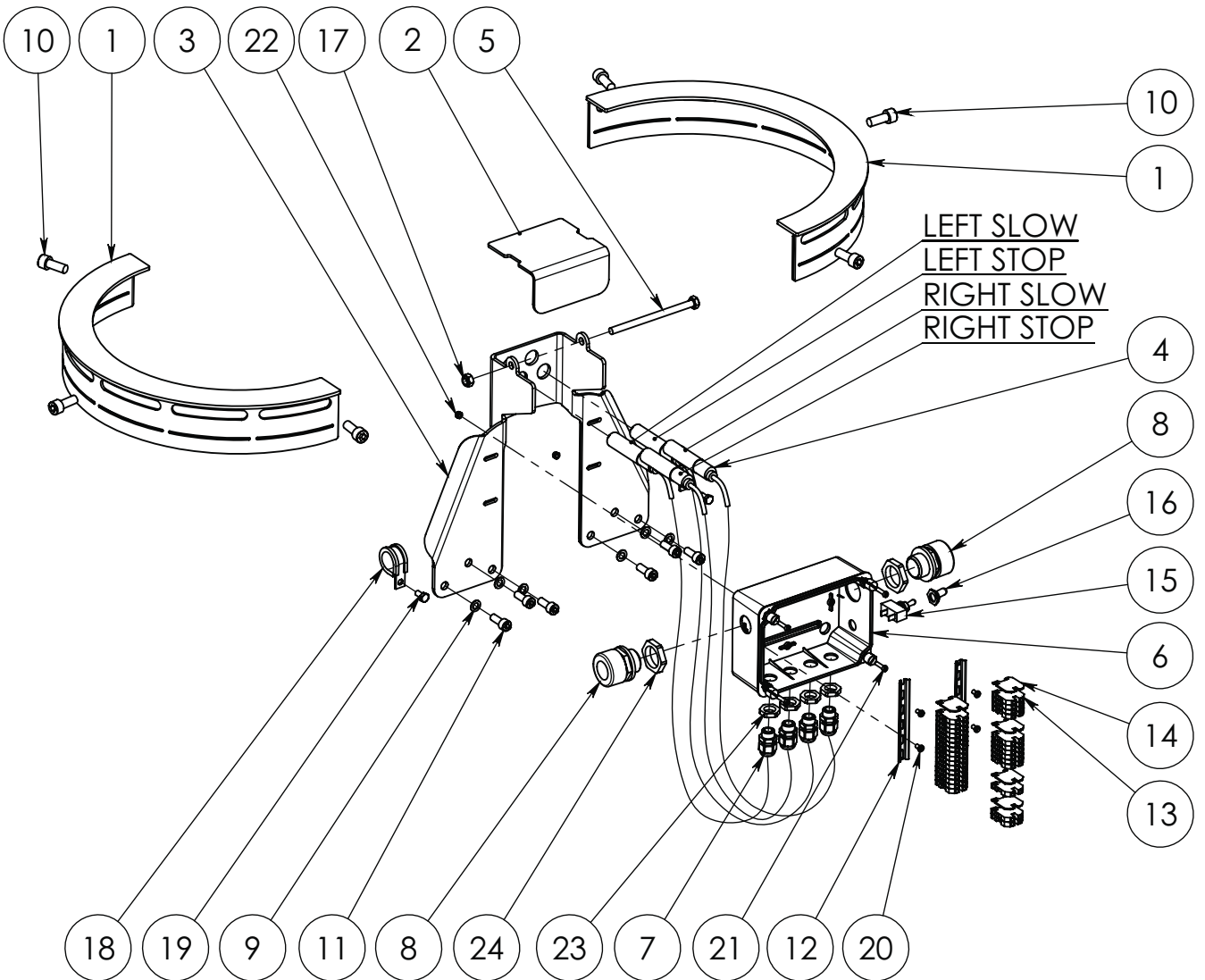
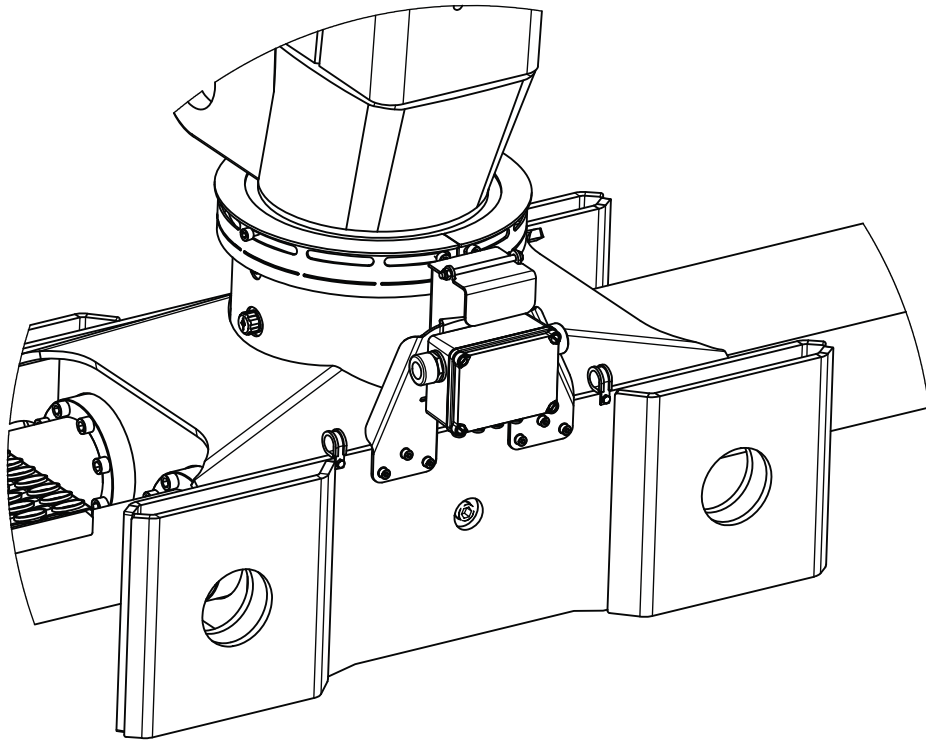


Item code	90022440	Revision	D
Title	FILTER	Date	17.03.2008
Specification	SUODATINTELINE		

Pos	Item code	Title	Specification	Pc	Nto Weight
1	90022387	RACK	SUODATINTELINE	1	5.79
2	3030065	WASHER	M10 ZN DIN 125	8	0
3	3010192	ALLEN SCREW	M10X20 8.8 ZN DIN 912	12	0
4	3090396	CONNECTOR (STRAIGHT)	04000-20 EP	1	0.44
5	3110849	USIT-SEAL	R 1 1/4"	2	0.01
6	3110173	USIT-SEAL	R-16 R 1"	4	0.01
7	90021976	BLOCK		1	1.57
8	3110130	USIT-SEAL	R-12 R 3/4"	8	0.01
9	3090185	CONNECTOR (STRAIGHT)	04000-12	2	0.14
10	3090364	CONNECTOR (STRAIGHT)	04000-12-16	4	0.21
11	3090301	NUT		2	0.03
12	3090397	NUT		1	0.08
13	3090350	CONNECTOR (STRAIGHT)	04000-12-20	1	0.32
14	90021971	PLANE		1	3.49
15	3010401	HEW SCREW	M10X130 8.8 ZN DIN 931	2	0
16	3020004	NUT	M10 ZN DIN 985	6	0.01
17	90010239	FLAT BAR		2	0.58
18	3090209	PLUG		2	0.08
19	3090210	PLUG		1	0.03
20	3110040	USIT-SEAL	R-06 R 3/8"	1	0
21	3090931	CONNECTOR	INDEXATOR 3/4" 5001291	4	0.7
22	3090298	CONNECTOR (STRAIGHT)	04000-12 EP	2	0.18
23	3091123	CONNECTOR (T)	04880-12	1	0.34
24	3091286	PRESSURE FILTER		2	24.96
100	3131568	HYDRAULIC HOSE	5601-12/HI-33-12/5660-12/L=870	2	0.94

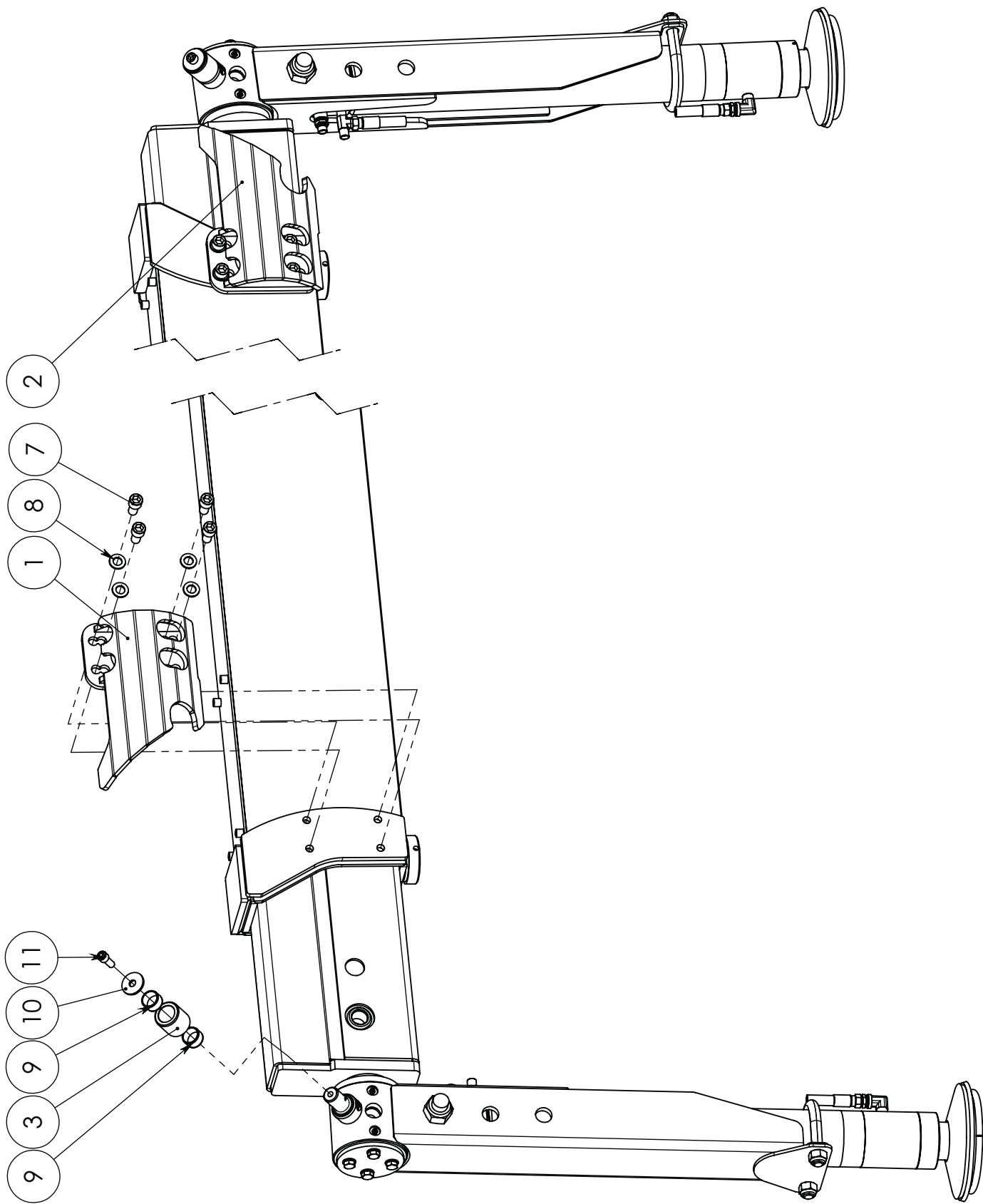
90022726

VARUSTELU



Item code	90022726	Revision	-
Title	ASSEMBLY	Date	23.10.2008
Specification	KÄÄNNÖN RAJOITIN		

Pos	Item code	Title	Specification	Pc	Nto Weight
1	90022730	COVER		2	1.49
2	90022736	COVER		1	0.37
3	90022731	RACK		1	1.73
4	3181159	SWITCH		4	0.17
5	3010329	HEW SCREW	M8X120 8.8 ZN DIN 931	1	0
6	3180306	BOX		1	1.65
7	3180184	SEAL		4	0.05
8	3180007	SEAL		2	0.24
9	3030081	WASHER	M8	6	0
10	3010685	ALLEN SCREW	M10X25 8.8 ZN DIN 912	6	0
11	3010253	ALLEN SCREW	M8X20 8.8 ZN DIN 912	6	0
12	3180454	RAIL	TS15/F LEV. 15 MM	2	0.02
13	3180496	CONNECTOR	RK 1.5-4/15 PA 1010.2	29	0.03
14	3180497	PLATE		5	0.01
15	3180730	SWITCH		1	0.05
16	3180679	COVER	600H U851	1	0.01
17	3020001	NUT	M8 ZN DIN 985	1	0.01
18	3090261	PIPE CLAMP		2	0.05
19	3010585	HEW SCREW	M6X12 8.8 ZN DIN 933	2	0
20	3010732	SCREW	3.5X8 DIN 7981	4	0
21	3010324	SLOTHEAD SCREW	M4X16 ZN DIN 84	4	0
22	3020093	NUT	M4 ZN DIN 985	4	0
23	3181160	BACK NUT		4	0.01
24	3181161	BACK NUT		2	0.03
25	90023610	SLEW MECHANISM	42 KNM VAR	1	992.68
100	3180012	ELECTRICAL CONNECTOR		58	
101	3180812	CABLE	S200 18X0.75 MM2	1	0



90021453

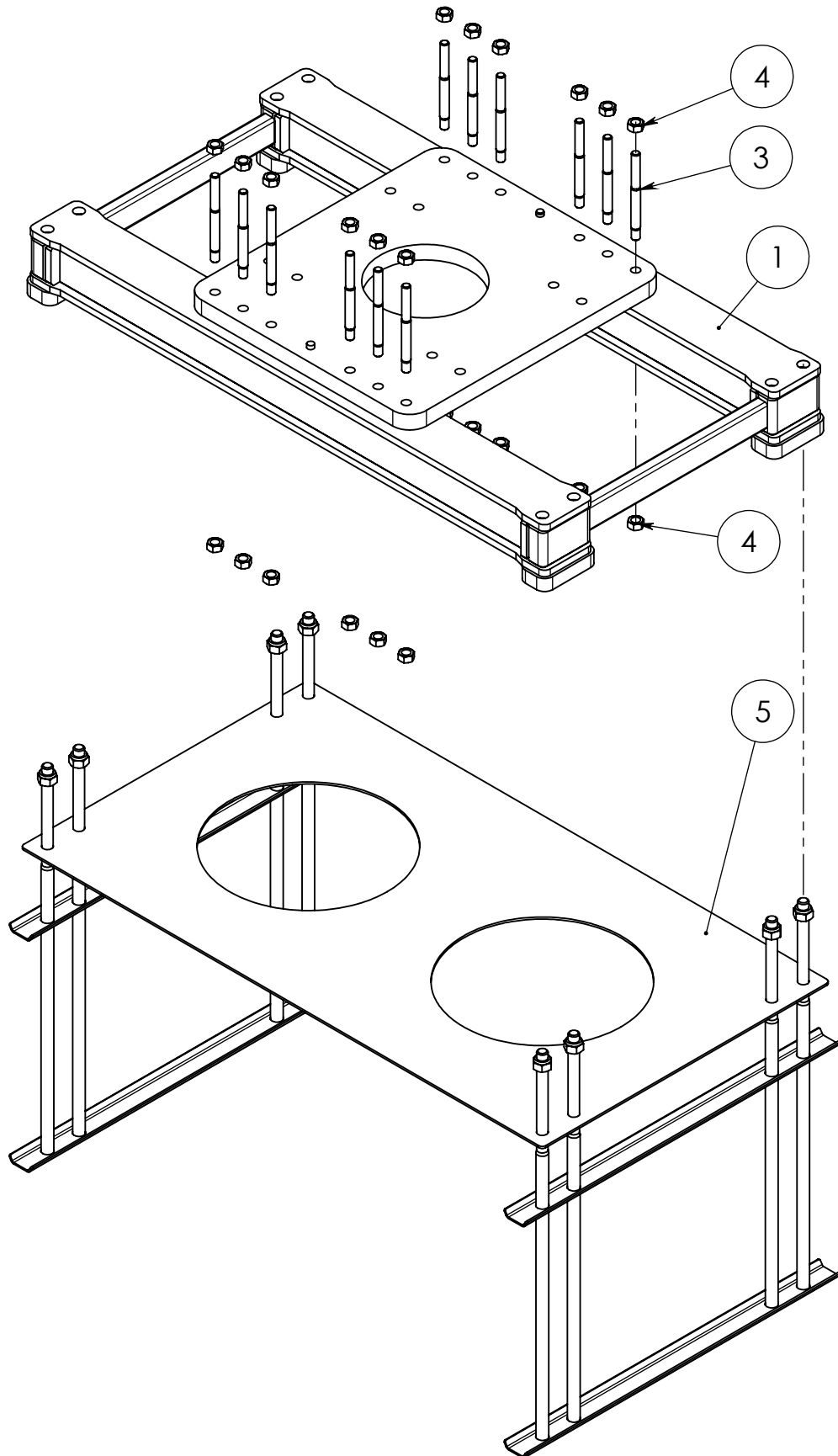
Item code	90021453	Revision	A
Title	ASSEMBLY	Date	01.11.2006
Specification	HEITTOLEVYI		

Pos	Item code	Title	Specification	Pc	Nto Weight
1	90020239	CABLE	HITS VASEN	1	5.82
2	90020238	CABLE	HITS. OIKEA	1	5.82
3	90012841	SLEEVE	50/34-50	2	0.41
4	90020807	GLIDE PAD		2	0.01
5	3010700	ALLEN SCREW	M16X30 8.8 ZN DIN 912	8	0
6	3030054	WASHER	M16 ZNC H225 DIN 125	8	0.01
7	3100124	BUSHING	PM 3020 DX	4	0.03
8	3030122	WASHER	M12 ZN DIN 440	2	0.04
9	3010246	ALLEN SCREW	M12X30 8.8 ZN DIN 912	2	0
11	3010048	HEW SCREW	M12X30 8.8 ZN DIN 933	8	0
13	3030096	WASHER	M12 ZN DIN 125	8	0.01
14	90020725	STABILIZER	RIGHT L=600 KOK	1	89.43
15	90020765	STABILIZER	LEFT L=600 KOK	1	89.43



90022246

PALKKI





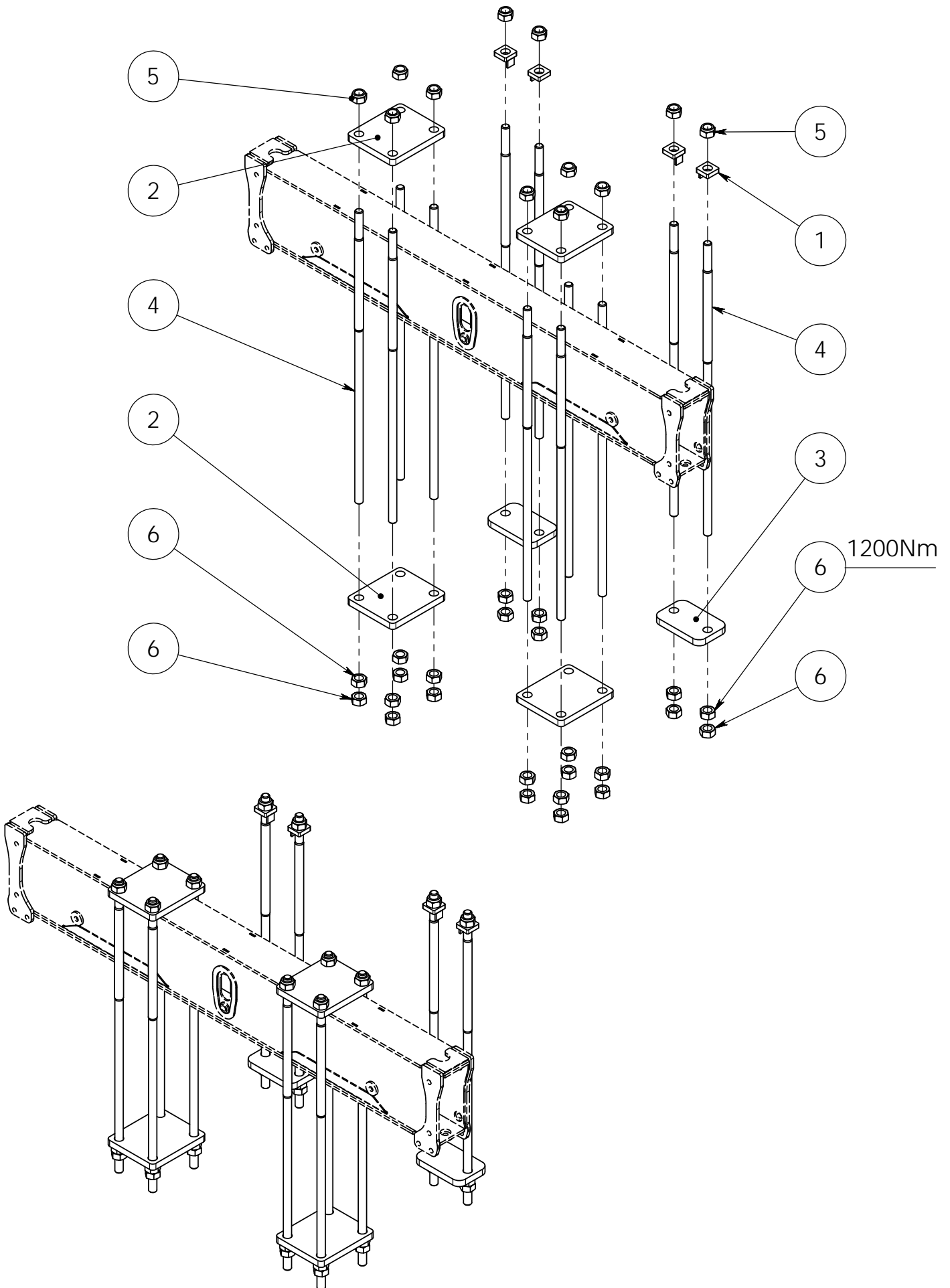
## SPARE PART LIST

Item code	90022246	Revision	-
Title	PALKKI	Date	05.06.2008
Specification	JOUSTAVA RASKAS VAR		

Pos	Item code	Title	Specification	Dimensions	Pc	Amount	Unit	Nto Weight
1	90014256	PALKKI BALK BEAM BALKEN	JOUSTAVA RASKAS HITS+KON		1			1172.98
2	90022245	TANKO LÄNK LINK GELENK	25-250	L=250	2			0.96
3	90022244	RUUVI SKRUV SCREW SCHRAUBE	M30X2-330	L=330	12			1.7
4	3020170	MUTTERI MUTTER NUT MUTTER	KM 30 X 2 ZN DIN 934		24			0

90025395

L=1200 2114Z, 2117Z, 2024



Item code	90025395	Revision	A
Title	FASTENING KIT	Date	01.03.2012
Specification	L=1200 WITH STABILIZER		

Pos	Item code	Title	Specification	Pc	Nto Weight
1	90013054	WASHER	M30-16	4	0.33
2	90021010	FASTENER		4	10.38
3	90022239	FASTENER		2	5.58
4	90024052	SCREW	M30X2-1200	12	6.06
5	3020041	NUT	M30X2 ZN DIN 985	12	0.24
6	3020170	NUT	M30X2 ZN DIN 934	24	0